

## Bulkhead Connectors (A-Series)

Our A-Series bulkheads are used in a wide range of industries to include the Petroleum Industry, Military, and Entertainment. These bulkheads are rugged, dependable and can be easily configured to fit most applications.

Our standard A-Series bulkhead connector uses a removable contact insert manufactured with gold plated contacts and molded in a glass/epoxy thermoset material. The contact insert is then o-ring sealed to a metal shell and retained with a snap ring. This configuration provides field repair by the customer or replacement of the insert if the customer decides to change contact configuration.

Connectors are keyed with a single large contact and are available in a variety of interfaces from 1 to 10 contacts. Many standard shell configurations available with the mounting interface in single o-ring, double o-ring, and male or female pipe thread. Pressure ratings available up to 20,000psi.



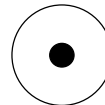
## "A" Series Bulkhead Connector Index

Description	Mounting Thread	Part Number	Page No.
AIBPH	1/4-28UNF-2A	1269-	1-1
A1BPHR	1/4-28UNF-2A	1521-	1-2
A1BPHS	1/4-28UNF-2A	1730-	1-3
A1BPH-HV	1/4-28UNF-2A	1280-	1-4
A1BPHL-HV	1/4-28UNF-2A	2536-	1-5
A1BPHS-HV	1/4-28UNF-2A	1731-	1-6
A1BPHSL-HV	1/4-28UNF-2A	2838-	1-7
A1BPH with Pigtail	1/4-28UNF-2A	1301-	1-8
A1BPH-HV with Pigtail	1/4-28UNF-2A	1287-	1-9
A1BPHS-1/8NPT	1/8-27MNPT	2394-	1-10
A1BPH-1/8NPT	1/8-27MNPT	1275-	1-11
A2BPH	7/16-20UNF-2A	1520-	1-12
A2BPH-XSB	7/16-20UNF-2A	1206-	1-13
A2BPH-NPT	3/8-18MNPT	1207-	1-14
A4BPH-NPT	1/2-14MNPT	1122-	1-15
A4BPH-XSB-A	3/4-16UNF-2A	1150-	1-16
A4BPH-XSB-B	1-14UNS-2A	1728-	1-17
A4BPH-XSB-C	1/2-13UNC-2A	3597-	1-18
A4BPH-XSB-D	7/16-20UNF-2A	3598-	1-19
A4BPH-XSB-E	1-14UNS-2A	3599-	1-20
A4BPH-XSB-F	1/2-13UNC-2A	3600-	1-21
A4BPH-XSB-G	3/4-16UNF-2A	1431-	1-22
A4BSH-XSB-C	1/2-13UNC-2A	2757-	1-23
A4BSH-XSB-D	7/16-20UNF-2A	3602-	1-24
A4BSH-XSB-E	1-14UNS-2A	3601-	1-25
A4BSH-XSB-F	1/2-13UNC-2A	3606-	1-26
A4WBP-XSB	Weld Flange	3603-	1-27
A4WBS-XSB	Weld Flange	3604-	1-28
A6BSH-XSB	1-14UNS-2A	1801-	1-29
A6BSH-XSBDE	1 1/4-12UNF-2A	1806-	1-30

### Description

A1BPH connectors are manufactured with a 316 S.S. body, brass pin contact and glass reinforced epoxy dielectric. All connectors are electrically tested at 2200vdc (DWV) and 500vdc (IR) with a minimum passing value > 100 megohms. All bulkhead connectors are pressure tested open face to 1500 psi. Hydrostatic testing to 20,000 psi available at customer request.

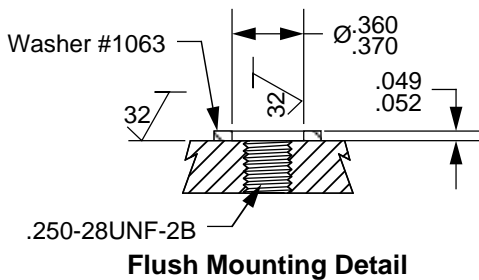
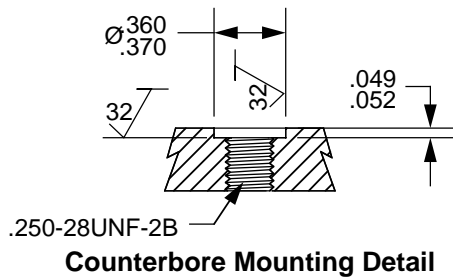
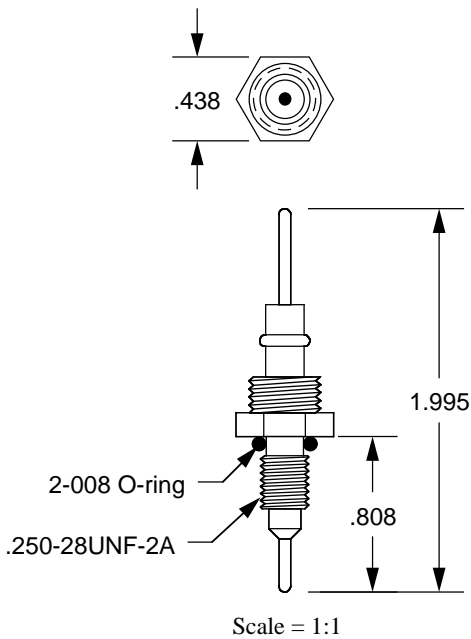
### Available Contact Interfaces



1 #16 awg  
-1

### Technical Data

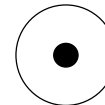
Part Number:	1269-
Shell Material:	316 Stainless Steel
Contact Material:	360 Brass, Half Hard
Contact Plating: (Standard)	Silver: Mil-S-365A, Type III, Grade A, .0005 Thick
(Optional)	Gold: Mil-G-45204, Type II, Grade C, Class 1 over .0001 Nickel Base
Dielectric Material:	1044, Glass Reinforced Epoxy
Operating Pressure:	20,000 psig open face. Pressure testing above 1500 psi performed as required by order.
Operating Temperature:	400°F, 192°C
Voltage Rating:	600vdc
Mounting Torque:	50 in/lbs
Mating Connector:	A1FS-1



**Description**

A1BPHR connectors are manufactured with a 316 S.S. body, beryllium copper pin contact and glass reinforced epoxy dielectric. All connectors are electrically tested at 2500vdc (DWV) and 500vdc (IR) with a minimum passing value > 100 megohms. All bulkhead connectors are pressure tested open face to 1500 psi. Hydrostatic testing to 20,000 psi combined with temperature to 400°F available at customer request.

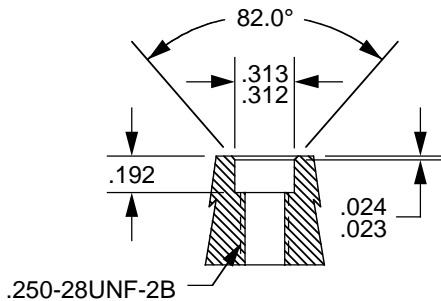
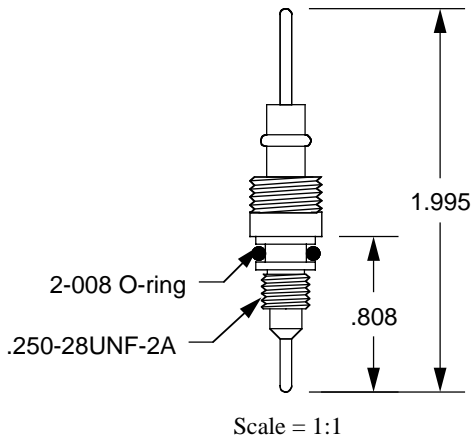
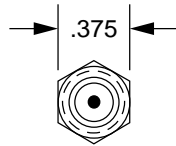
**Available Contact Interfaces**



1 #16 awg  
-1

**Technical Data**

Part Number:	1521-
Shell Material:	316 Stainless Steel
Contact Material:	Beryllium Copper
Contact Plating: (Standard)	Gold: Mil-G-45204, Type II, Grade C, Class 1 over .0001 Nickel Base
Dielectric Material:	1044, Glass Reinforced Epoxy
Operating Pressure:	20,000 psig open face. Pressure testing above 1500 psi performed as required by order.
Operating Temperature:	400°F, 192°C
Voltage Rating:	2500vdc
Mounting Torque:	50 in/lbs
Mating Connector:	A1FS-1, A1FS-FA

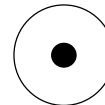


**Mounting Detail**

### Description

A1BPH connectors are manufactured with a 316 S.S. body, brass pin contact and glass reinforced epoxy dielectric. All connectors are electrically tested at 2500vdc (DWV) and 500vdc (IR) with a minimum passing value > 100 megohms. All bulkhead connectors are pressure tested open face to 1500 psi. Hydrostatic testing to 20,000 psi available at customer request.

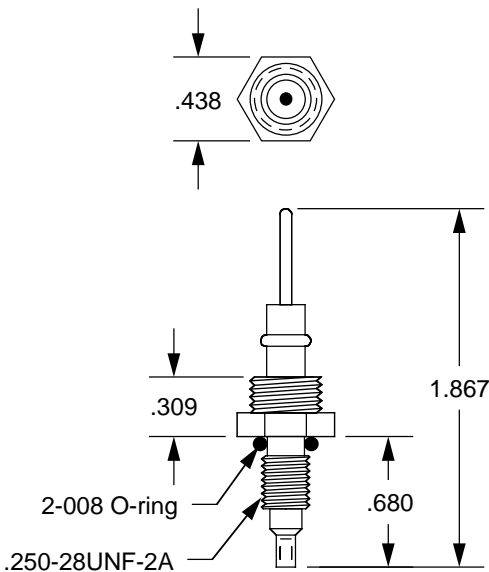
### Available Contact Interfaces



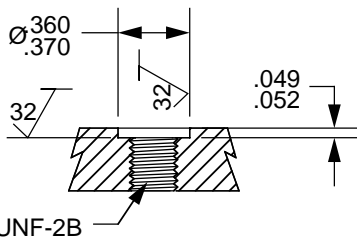
1 #16 awg  
-1

### Technical Data

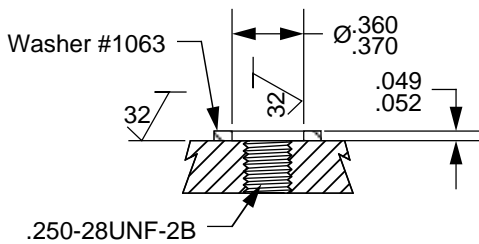
Part Number:	1730-
Shell Material:	316 Stainless Steel
Contact Material:	360 Brass, Half Hard
Contact Plating: (Standard)	Silver: Mil-S-365A, Type III, Grade A, .0005 Thick
(Optional)	Gold: Mil-G-45204, Type II, Grade C, Class 1 over .0001 Nickel Base
Dielectric Material:	1044, Glass Reinforced Epoxy
Operating Pressure:	20,000 psig open face. Pressure testing above 1500 psi performed as required by order.
Operating Temperature:	400°F, 192°C
Voltage Rating:	2,500vdc
Mounting Torque:	50 in/lbs
Mating Connector:	A1FS-1, A1FS-FA



Scale = 1:1



Counterbore Mounting Detail



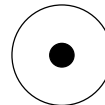
Flush Mounting Detail

**Description**

A1BPH-HV connectors are manufactured with a 316 S.S. body, 360 Brass pin contact and glass reinforced epoxy dielectric. All connectors are electrically tested at 12,000vdc (DWV) and 500vdc (IR) with a minimum passing value > 100 megohms.

All bulkhead connectors are pressure tested open face to 1500 psi. Hydrostatic testing to 20,000 psi available at customer request.

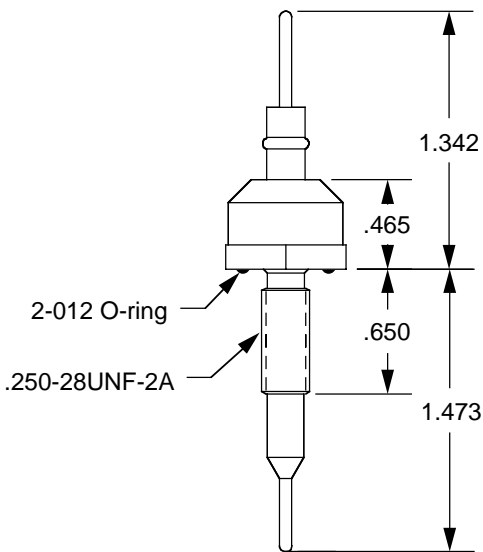
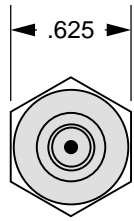
**Available Contact Interfaces**



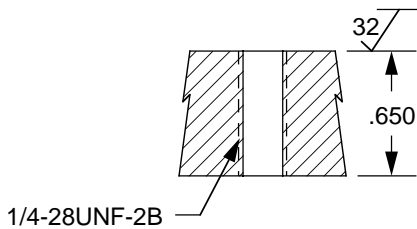
1 #16 awg  
-1

**Technical Data**

Part Number:	1280-
Shell Material:	316 Stainless Steel
Contact Material:	360 Brass
Contact Plating: (Standard)	Silver: Mil-S-365A, Type III, Grade A, .0005 Thick
(Optional)	Gold: Mil-G-45204, Type II, Grade C, Class 1 over .0001 Nickel Base
Dielectric Material:	1044, Glass Reinforced Epoxy
Operating Pressure:	20,000 psig open face. Pressure testing above 1500 psi performed as required by order.
Operating Temperature:	400°F, 192°C
Voltage Rating:	12,000vdc
Mounting Torque:	50 in/lbs
Mating Connector:	A1FS-1, A1FS-FA



Scale = 1:1



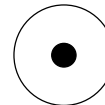
**Mounting Detail**

**Description**

A1BPH-HV connectors are manufactured with a 316 S.S. body, 360 Brass pin contact and glass reinforced epoxy dielectric. All connectors are electrically tested at 12,000vdc (DWV) and 500vdc (IR) with a minimum passing value > 100 megohms.

All bulkhead connectors are pressure tested open face to 1500 psi. Hydrostatic testing to 20,000 psi available at customer request.

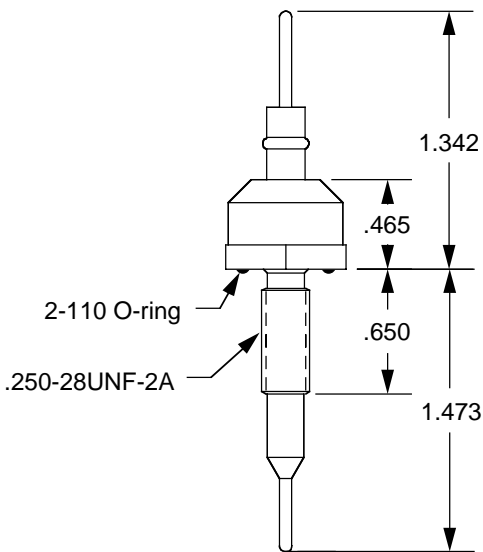
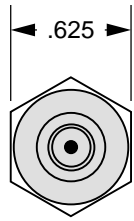
**Available Contact Interfaces**



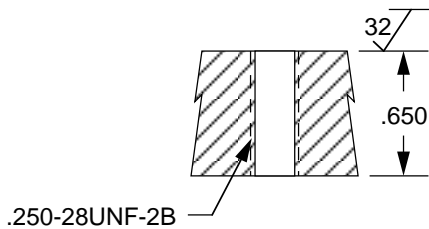
1 #16 awg  
-1

**Technical Data**

Part Number:	2536-
Shell Material:	316 Stainless Steel
Contact Material:	360 Brass
Contact Plating: (Standard)	Silver: Mil-S-365A, Type III, Grade A, .0005 Thick
(Optional)	Gold: Mil-G-45204, Type II, Grade C, Class 1 over .0001 Nickel Base
Dielectric Material:	1044, Glass Reinforced Epoxy
Operating Pressure:	20,000 psig open face. Pressure testing above 1500 psi performed as required by order.
Operating Temperature:	400°F, 192°C
Voltage Rating:	12,000vdc
Mounting Torque:	50 in/lbs
Mating Connector:	A1FS-1, A1FS-FA



Scale = 1:1



**Mounting Detail**

# A1BPHS-HV

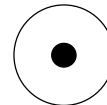
## High Voltage Bulkhead Pin Connector

### Description

A1BPH-HV connectors are manufactured with a 316 S.S. body, 360 Brass pin contact and glass reinforced epoxy dielectric. All connectors are electrically tested at 12,000vdc (DWV) and 500vdc (IR) with a minimum passing value > 100 megohms.

All bulkhead connectors are pressure tested open face to 1500 psi. Hydrostatic testing to 20,000 psi available at customer request.

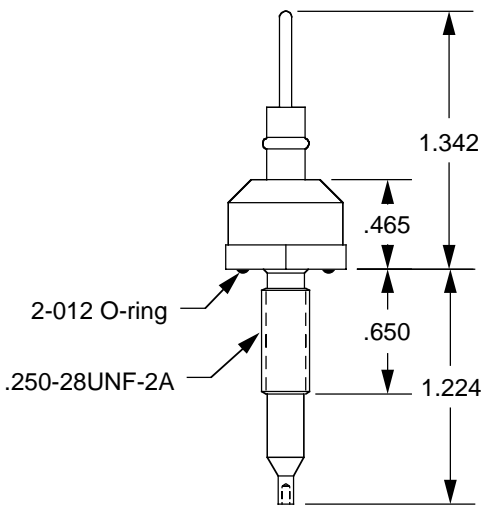
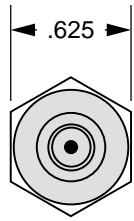
### Available Contact Interfaces



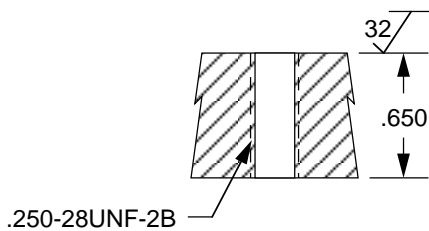
1 #16 awg  
-1

### Technical Data

Part Number:	1731-
Shell Material:	316 Stainless Steel
Contact Material:	360 Brass
Contact Plating: (Standard)	Silver: Mil-S-365A, Type III, Grade A, .0005 Thick
(Optional)	Gold: Mil-G-45204, Type II, Grade C, Class 1 over .0001 Nickel Base
Dielectric Material:	1044, Glass Reinforced Epoxy
Operating Pressure:	20,000 psig open face. Pressure testing above 1500 psi performed as required by order.
Operating Temperature:	400°F, 192°C
Voltage Rating:	12,000vdc
Mounting Torque:	50 in/lbs
Mating Connector:	A1FS-1, A1FS-FA



Scale = 1:1



**Mounting Detail**

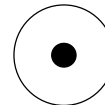


**Description**

A1BPH-HV connectors are manufactured with a 316 S.S. body, 360 Brass pin contact and glass reinforced epoxy dielectric. All connectors are electrically tested at 12,000vdc (DWV) and 500vdc (IR) with a minimum passing value > 100 megohms.

All bulkhead connectors are pressure tested open face to 1500 psi. Hydrostatic testing to 20,000 psi available at customer request.

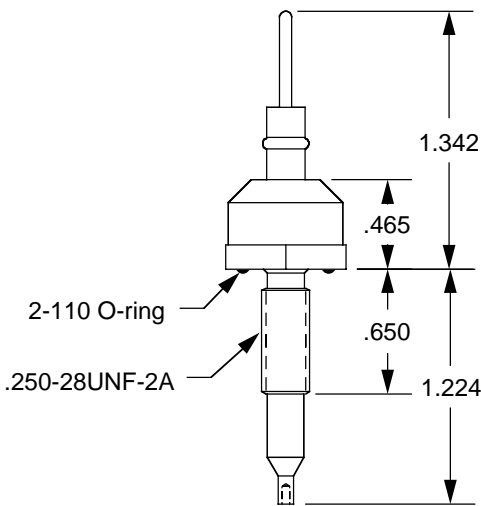
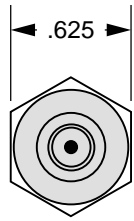
**Available Contact Interfaces**



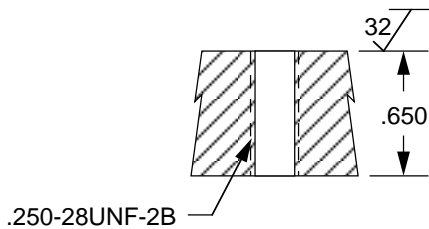
1 #16 awg  
-1

**Technical Data**

Part Number:	2838-
Shell Material:	316 Stainless Steel
Contact Material:	360 Brass
Contact Plating: (Standard)	Silver: Mil-S-365A, Type III, Grade A, .0005 Thick
(Optional)	Gold: Mil-G-45204, Type II, Grade C, Class 1 over .0001 Nickel Base
Dielectric Material:	1044, Glass Reinforced Epoxy
Operating Pressure:	20,000 psig open face. Pressure testing above 1500 psi performed as required by order.
Operating Temperature:	400°F, 192°C
Voltage Rating:	12,000vdc
Mounting Torque:	50 in/lbs
Mating Connector:	A1FS-1, A1FS-FA



Scale = 1:1



**Mounting Detail**

# "A1BPH"

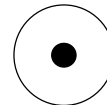
## Bulkhead Pin Connector with Pigtail

### Description

A1BPH connectors are manufactured with a 316 S.S. body, brass pin contact and glass reinforced epoxy dielectric. All connectors are electrically tested at 12,000vdc (DWV) and 500vdc (IR) with a minimum passing value > 100 megohms.

All bulkhead connectors are pressure tested open face to 1500 psi. Hydrostatic testing to 20,000 psi available at customer request.

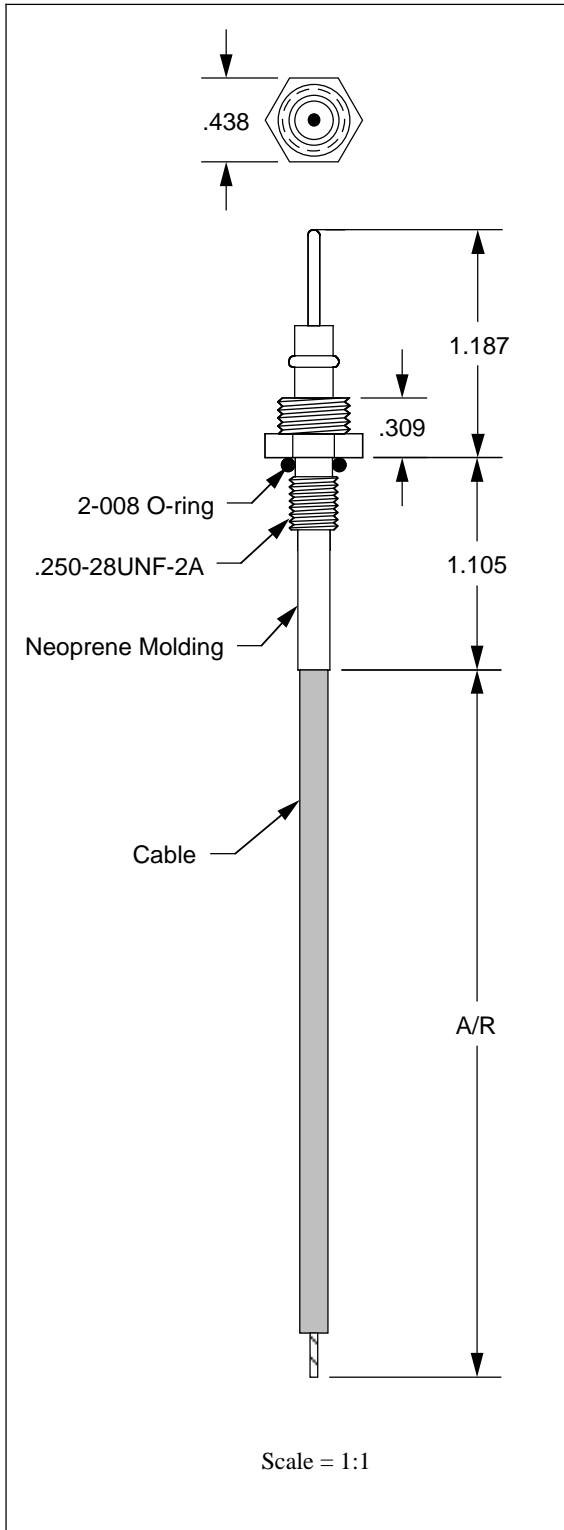
### Available Contact Interfaces

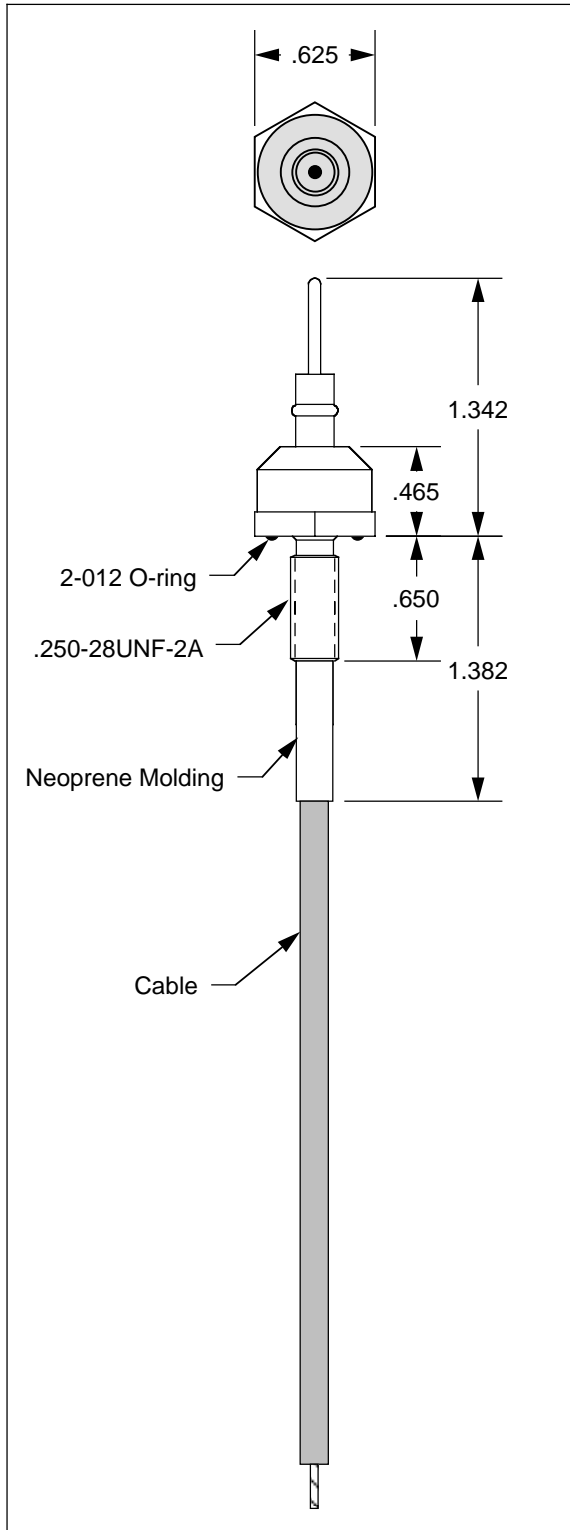


1 #16 awg  
-1

### Technical Data

Part Number:	1301-
Shell Material:	316 Stainless Steel
Contact Material:	360 Brass, Half Hard
Contact Plating: (Standard)	Silver: Mil-S-365A, Type III, Grade A, .0005 Thick
(Optional)	Gold: Mil-G-45204, Type II, Grade C, Class 1 over .0001 Nickel Base
Dielectric Material:	1044, Glass Reinforced Epoxy
Operating Pressure:	20,000 psig open face. Pressure testing above 1500 psi performed as required by order.
Operating Temperature:	250°F, 121°C
Voltage Rating:	12,000vdc
Mounting Torque:	50 in/lbs
Mating Connector:	A1FS-1
Cable Type:	1N2
Mounting Dimensions:	See A1BPH (pg. 1)



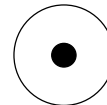


## Description

A1BPH-HV connectors are manufactured with a 316 S.S. body, 360 Brass pin contact and glass reinforced epoxy dielectric. All connectors are electrically tested at 12,000vdc (DWV) and 500vdc (IR) with a minimum passing value > 100 megohms.

All bulkhead connectors are pressure tested open face to 1500 psi. Hydrostatic testing to 20,000 psi available at customer request.

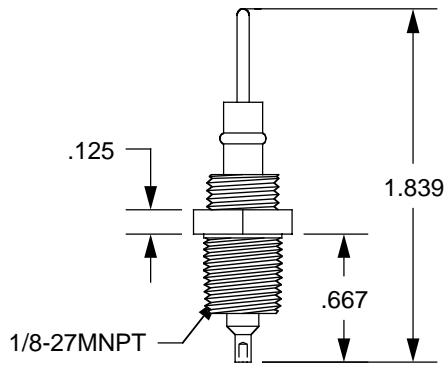
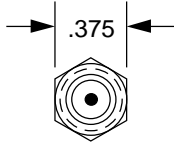
## Available Contact Interfaces



1 #16 awg  
-1

## Technical Data

Part Number:	1287-
Shell Material:	316 Stainless Steel
Contact Material:	360 Brass
Contact Plating: (Standard)	Silver: Mil-S-365A, Type III, Grade A, .0005 Thick
(Optional)	Gold: Mil-G-45204, Type II, Grade C, Class 1 over .0001 Nickel Base
Dielectric Material:	1044, Glass Reinforced Epoxy
Operating Pressure:	20,000 psig open face. Pressure testing above 1500 psi performed as required by order.
Operating Temperature:	250°F, 121°C
Voltage Rating:	12,000vdc
Mounting Torque:	50 in/lbs
Mating Connector:	A1FS-I, A1FS-FA
Cable Type:	1N2
Mounting Dimensions:	See A1BPH-HV (pg. 4)



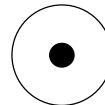
Scale = 1:1

### Description

A1BPHS-1/8NPT connectors are manufactured with a 316 S.S. body, 360 Brass pin contact and glass reinforced epoxy dielectric. All connectors are electrically tested at 2,200vdc (DWV) and 500vdc (IR) with a minimum passing value > 100 megohms.

All bulkhead connectors are pressure tested open face to 1500 psi. Hydrostatic testing to 20,000 psi combined with temperature to 200°C available at customer request.

### Available Contact Interfaces



1 #16 awg  
-1

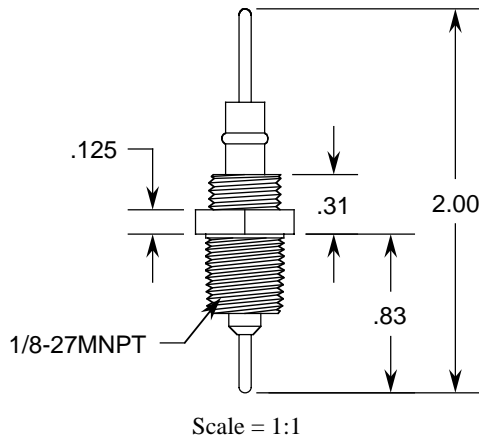
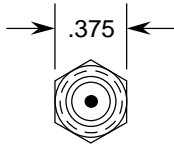
### Technical Data

Part Number:	2394-
Shell Material:	316 Stainless Steel
Contact Material:	360 Brass
Contact Plating: (Standard)	Gold: Mil-G-45204, Type II, Grade C, Class 1 over .0001 Nickel Base
Dielectric Material:	1044, Glass Reinforced Epoxy
Operating Pressure:	20,000 psig open face. Pressure testing above 1500 psi performed as required by order.
Operating Temperature:	400°F, 192°C
Voltage Rating:	600vdc
Mounting Torque:	50 in/lbs
Mating Connector:	A1FS-1, A1FS-FA

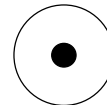
### Description

A1BPH-1/8NPT connectors are manufactured with a 316 S.S. shell, beryllium copper pin contact and glass reinforced epoxy dielectric. All connectors are electrically tested at 2,200vdc (DWV) and 500vdc (IR) with a minimum passing value > 100 megohms.

All bulkhead connectors are pressure tested open face to 1500 psi. Hydrostatic testing to 20,000 psi combined with temperature to 200°C available at customer request.



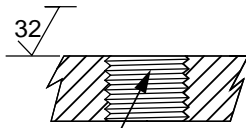
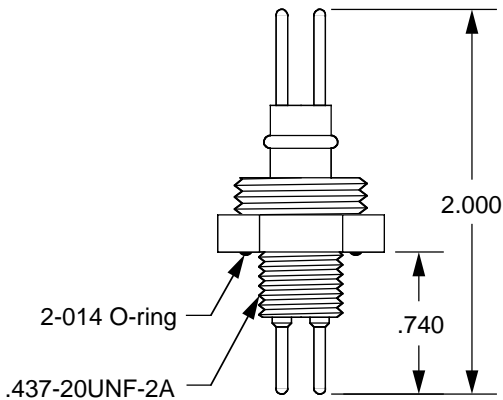
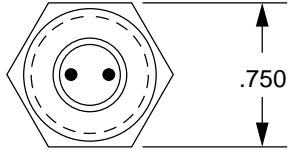
### Available Contact Interfaces



1 #16 awg  
-1

### Technical Data

Part Number:	1275-
Shell Material:	316 Stainless Steel
Contact Material:	Beryllium Copper
Contact Plating: (Standard)	Gold: Mil-G-45204, Type II, Grade C, Class 1 over .0001 Nickel Base
Dielectric Material:	1044, Glass Reinforced Epoxy
Operating Pressure:	20,000 psig open face. Pressure testing above 1500 psi performed as required by order.
Operating Temperature:	200°C
Voltage Rating:	600vdc
Mounting Torque:	50 in/lbs
Mating Connector:	A1FS-1, A1FS-FA



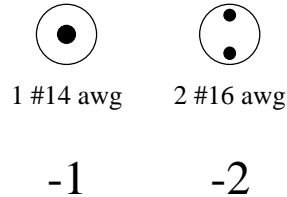
7/16-20UNF-2B

### Mounting Detail

## Description

A2BPH connectors are manufactured with brass pin contacts and high strength glass reinforced epoxy dielectric. All connectors are electrically tested at 2200vdc (DWV) and 500vdc (IR) with a minimum passing value > 100 megohms. All bulkhead connectors are pressure tested open face to 1500 psi. Hydrostatic testing to 5,000 psi available at customer request.

## Available Contact Interfaces

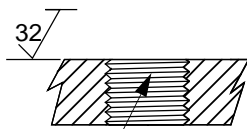
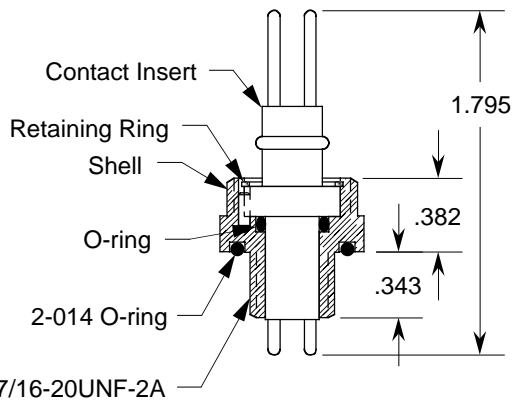
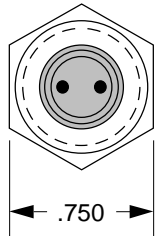


## Technical Data

Part Number:	1520-
Contact Material:	360 Brass, Half Hard
Contact Plating:	Gold: Mil-G-45204, Type II, Grade C, Class 1 over .0001 Nickel Base
Dielectric Material:	1044, Glass Reinforced Epoxy
Operating Pressure:	5,000 psig. Pressure testing above 1500 psi performed as required by order.
Operating Temperature:	250°F, 121°C
Voltage Rating:	600vdc
Mounting Torque:	50 in/lbs
Mating Connector:	A2FS-(X)

### Description

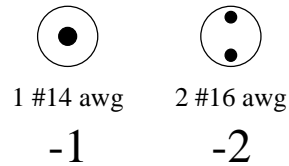
A42BPH-XSB connectors are manufactured with Ampco 45 connector shell and removable high strength glass reinforced epoxy dielectric insert. Contact insert is o-ring sealed to the shell and retained with a Spirolox retaining ring. All connectors are electrically tested at 2200vdc (DWV) and 500vdc (IR) with a minimum passing value > 100 megohms. All bulkhead connectors are pressure tested open face to 1500 psi.



7/16-20UNF-2B

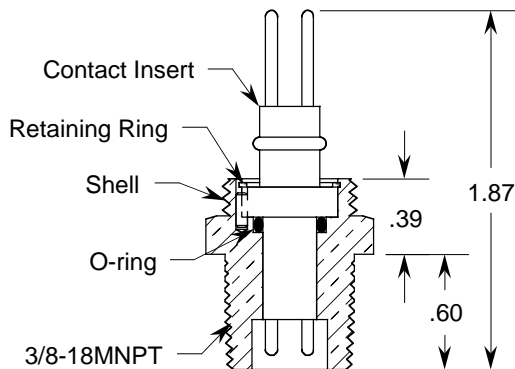
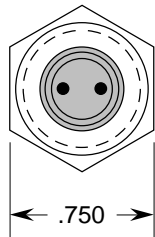
### Mounting Detail

### Available Contact Interfaces



### Technical Data

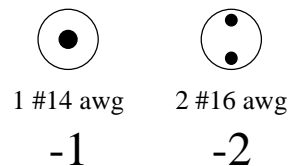
Part Number:	1206-
Shell Material:	Ampco 45, Nickel Aluminum Bronze
Contact Material:	360 Brass, Half Hard
O-ring Material:	Nitrile (Buna-N)
Contact Plating:	Gold: Mil-G-45204, Type II, Grade C, Class 1 over .0001 Nickel Base
Dielectric Material:	1044, Glass Reinforced Epoxy
Operating Pressure:	5,000 psig mated. Pressure testing above 1500 psi performed as required by order.
Operating Temperature:	250°F, 121°C
Voltage Rating:	600vdc
Mounting Torque:	50 in/lbs
Mating Connector:	A2FS-(X)



## Description

A2BPH-XNPT connectors are manufactured with a Ampco 45 connector shell and removable high strength glass reinforced epoxy dielectric contact insert. Contact insert is o-ring sealed to the shell and retained with a Spirolox retaining ring. All connectors are electrically tested at 2200vdc (DWV) and 500vdc (IR) with a minimum passing value > 100 megohms. All bulkhead connectors are pressure tested open face to 1500 psi.

## Available Contact Interfaces



## Technical Data

Part Number	1206-
Shell Material:	Ampco 45, Nickel Aluminum Bronze
Contact Material:	360 Brass, Half Hard
O-ring Material:	Nitrile (Buna-N)
Contact Plating:	Gold: Mil-G-45204, Type II, Grade C, Class 1 over .0001 Nickel Base
Dielectric Material:	1044, Glass Reinforced Epoxy
Operating Pressure:	5,000 psig mated. Pressure testing above 1500 psi performed as required by order.
Operating Temperature:	250°F, 121°C
Voltage Rating:	600vdc
Mounting Thread:	3/8-18MNPT
Mating Connector:	A2FS-(X)



### Description

A4BPH-NPT connectors are manufactured with brass connector shell and removable high strength glass reinforced epoxy dielectric contact insert. Contact insert is o-ring sealed to the shell and retained with a spirolox ring. All connectors are electrically tested at 2200vdc (DWV) and 500vdc (IR) with a minimum passing value > 100 megohms. All bulkhead connectors are pressure tested open face to 1500 psi.

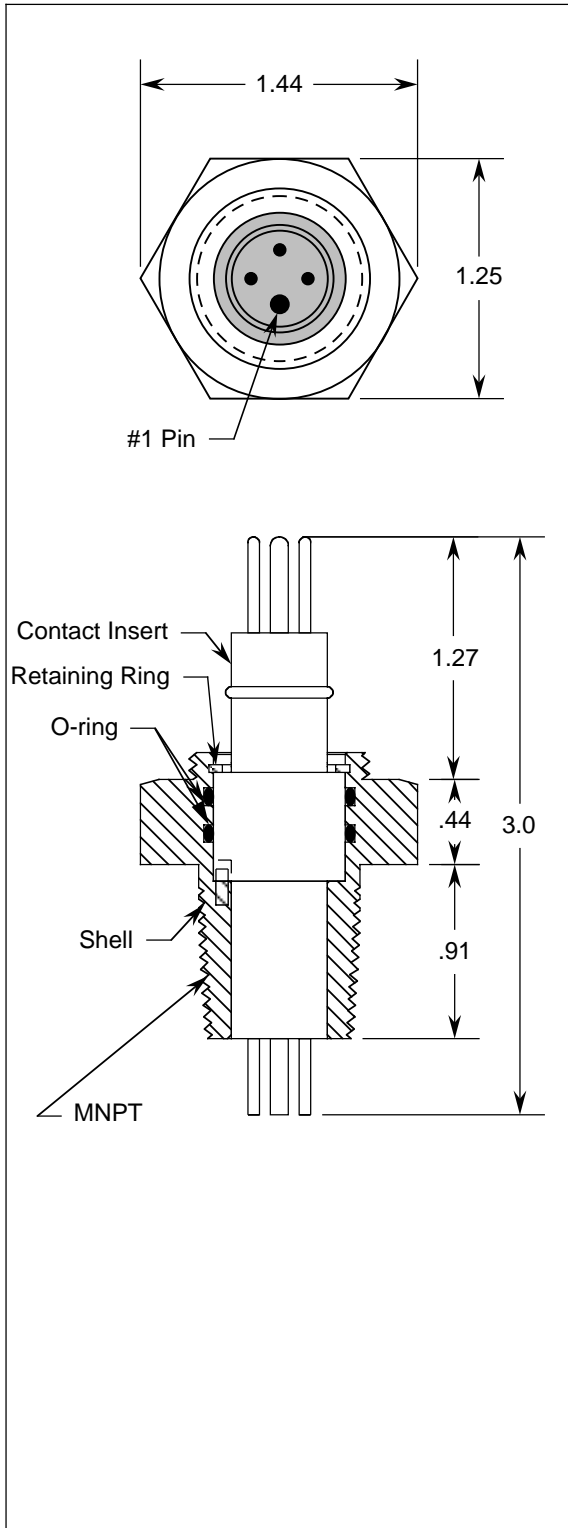
### Available Contact Interfaces

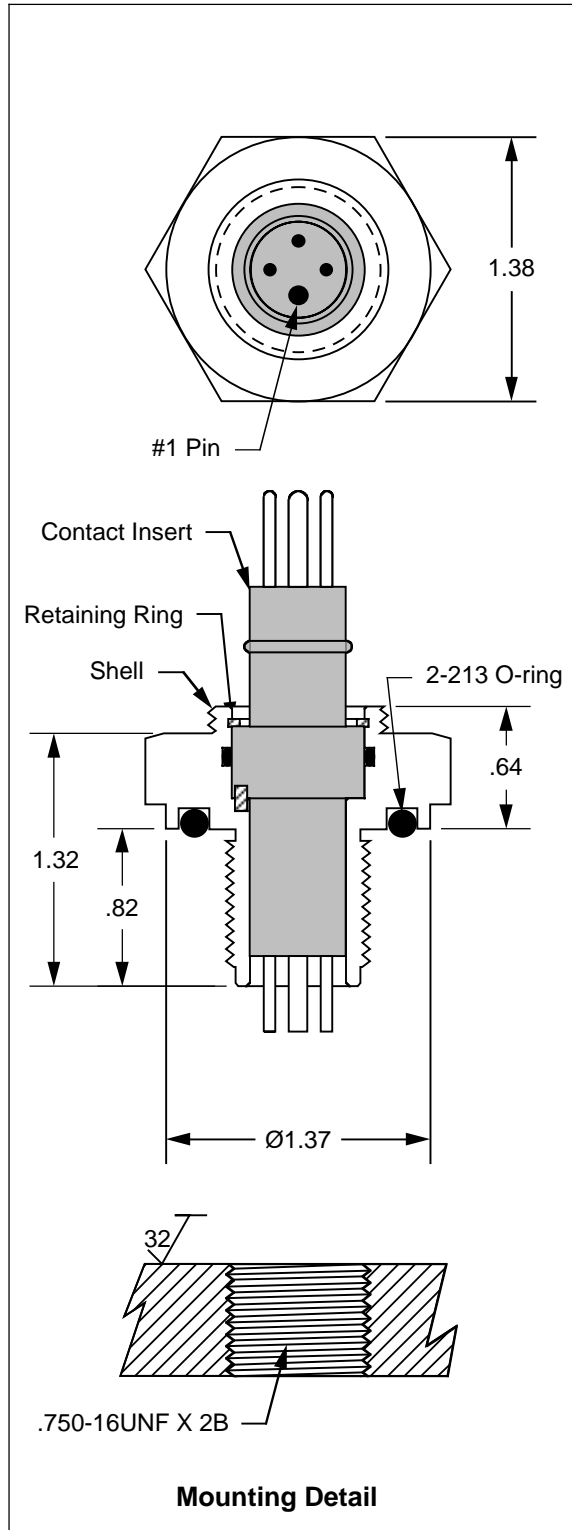


1 #10 awg	1 #14 awg	1 #14 awg
1 #14 awg	3 #16 awg	5 #16 awg
<b>-2</b>	<b>-4</b>	<b>-6</b>

### Technical Data

Part Number	1122-
Contact Material:	360 Brass, Half Hard
Shell Material: (Standard)	360 Brass, Half Hard
(Optional)	316 S.S., 303 S.S., Ampco 45
Contact Plating:	Gold: Mil-G-45204, Type II, Grade C, Class 1 over .0001 Nickel Base
Dielectric Material:	1044, Glass Reinforced Epoxy
Operating Pressure:	5000 psig. Pressure testing above 1500 psi performed as required by order.
Operating Temperature:	250°F, 121°C
Voltage Rating:	600vdc
Mounting Thread: (Standard)	1/2-14MNPT (-A)
(Optional)	3/4-14MNPT (-B)
Contact Numbering:	Large Pin = #1 then CCW
Mating Connector:	A4FS, A4FS-FA, A4FS-FA-RA

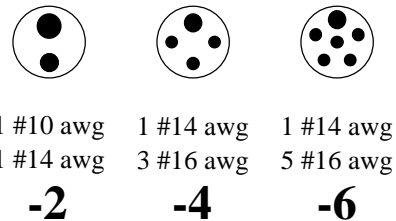




### Description

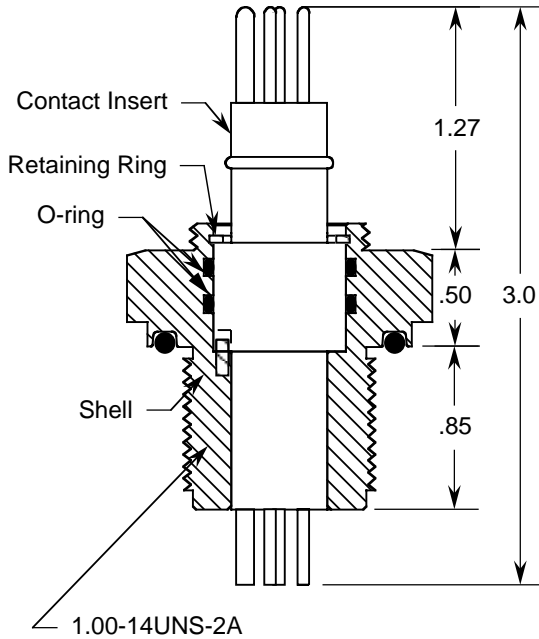
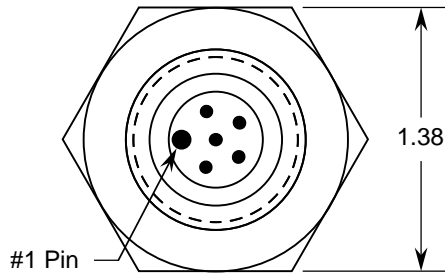
A4BPH-XSB connectors are manufactured with a 316 Stainless Steel connector shell and removable high strength glass reinforced epoxy dielectric contact insert. Contact insert is o-ring sealed to the shell and retained with a Spirolox retaining ring. All connectors are electrically tested at 2200vdc (DWV) and 500vdc (IR) with a minimum passing value > 100 megohms. All bulkhead connectors are pressure tested open face to 1500 psi.

### Available Contact Interfaces



### Technical Data

Part Number:	1150-
Shell Material: (Standard)	316 S.S.
(Optional)	360 Brass
Contact Material:	360 Brass, Half Hard
O-ring Material:	Nitrile (Buna-N)
Contact Plating:	Gold: Mil-G-45204, Type II, Grade C, Class 1 over .0001 Nickel Base
Dielectric Material:	1044, Glass Reinforced Epoxy
Operating Pressure:	5000 psig. Pressure testing above 1500 psi performed as required by order.
Operating Temperature:	250°F, 121°C
Voltage Rating:	600vdc
Mounting Thread: (Standard)	3/4-16UNF-2A
Contact Numbering:	Large Pin = #1 then CCW
Mating Connector:	A4FS-X, A4FS-FA, A4FS-FA-RA, A4FS-RA



### Description

A4BPH-XSB connectors are manufactured with a 316 S.S. connector shell and removable high strength glass reinforced epoxy dielectric contact insert. Contact insert is double o-ring sealed to the shell and retained with a spirolox ring. All connectors are electrically tested at 2200vdc (DWV) and 500vdc (IR) with a minimum passing value > 100 megohms. All bulkhead connectors are pressure tested open face to 1500 psi.

### Available Contact Interfaces



1 #10 awg 1 #14 awg	1 #14 awg 3 #16 awg	1 #14 awg 5 #16 awg
<b>-2</b>	<b>-4</b>	<b>-6</b>

### Technical Data

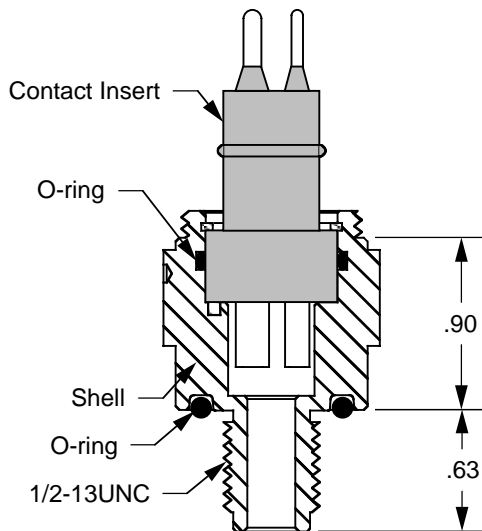
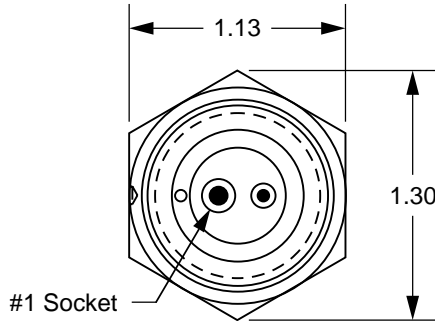
Part Number:	1728-
Contact Material:	360 Brass, Half Hard
Shell Material:	316 S.S., 303 S.S., Ampco 45
Contact Plating:	Gold: Mil-G-45204, Type II, Grade C, Class 1 over .0001 Nickel Base
Dielectric Material:	1044, Glass Reinforced Epoxy
Operating Pressure:	5000 psig. Pressure testing above 1500 psi performed as required by order.
Operating Temperature:	250°F, 121°C
Voltage Rating:	600vdc
Mounting Thread: (Standard)	1.00-14UNS-2A
(Optional)	Large Pin = #1 then CCW
Contact Numbering:	A4FS, A4FS-FA, A4FS-FA-RA
Mating Connector:	

## A4BPH-XSB-C

Bulkhead Socket Connector  
With Removable Insert

### Description

A4BPH-XSB connectors are manufactured with stainless steel connector shell and removable high strength glass reinforced epoxy dielectric contact insert. Contact insert is o-ring sealed to the shell and retained with a spirolox ring. All connectors are electrically tested at 2200vdc (DWV) and 500vdc (IR) with a minimum passing value > 100 megohms. All bulkhead connectors are pressure tested open face to 1500 psi.



### Available Contact Interfaces



1 #14 awg  
1 #16 awg  
**-2UM**



1 #14 awg  
3 #16 awg  
**-4UM**

### Technical Data

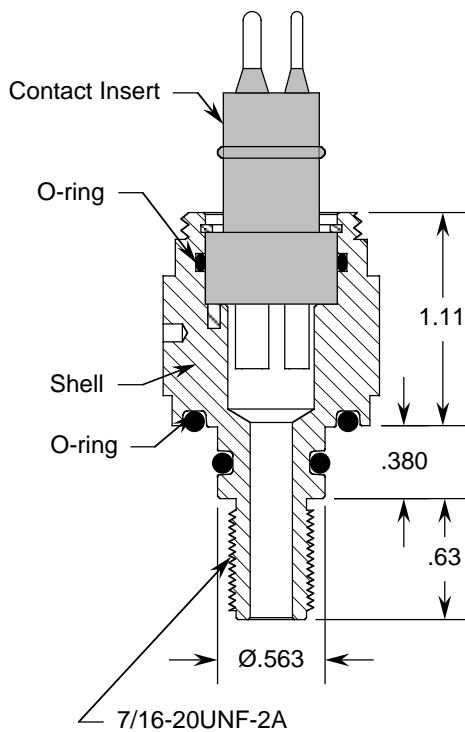
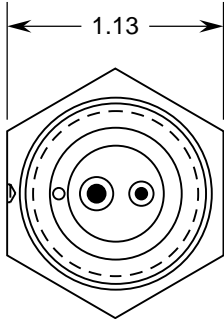
Part Number:	3597-
Contact Material:	360 Brass, Half Hard
Shell Material:	316 S.S.
Contact Plating:	Gold: Mil-G-45204, Type II, Grade C
Dielectric Material:	1044, Glass Reinforced Epoxy
Operating Pressure:	5000 psig. Pressure testing above 1500 psi performed as required by order.
Operating Temperature:	250°F, 121°C
Voltage Rating:	600vdc
Mounting Thread: (Standard)	1/2-13UNC-2
Contact Numbering:	Large Pin = #1 then CCW
Mating Connector:	A4FS-(X)

## A4BPH-XSB-D

Bulkhead Socket Connector  
With Removable Insert

### Description

A4BPH-XSB connectors are manufactured with stainless steel connector shell and removable high strength glass reinforced epoxy dielectric contact insert. Contact insert is o-ring sealed to the shell and retained with a spirolox ring. All connectors are electrically tested at 2200vdc (DWV) and 500vdc (IR) with a minimum passing value > 100 megohms. All bulkhead connectors are pressure tested open face to 1500 psi.



### Available Contact Interfaces



1 #10 awg  
1 #14 awg  
**-2**



1 #14 awg  
1 #16 awg  
**-2UM**



1 #14 awg  
3 #16 awg  
**-4UM**

### Technical Data

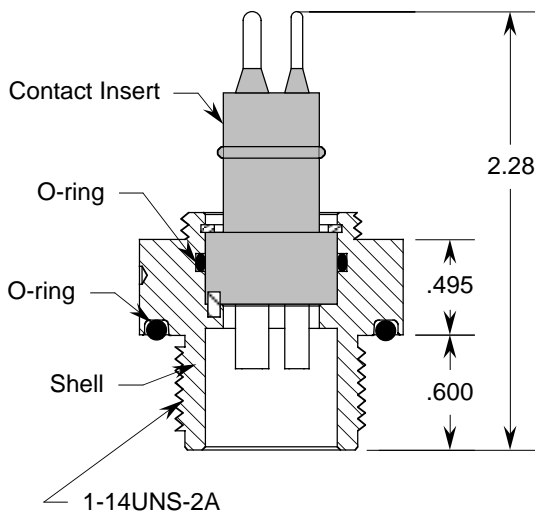
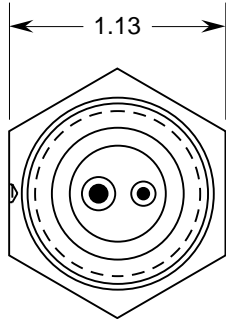
Part Number:	3598-
Contact Material:	360 Brass, Half Hard
Shell Material:	316 S.S.
Contact Plating:	Gold: Mil-G-45204, Type II, Grade C
Dielectric Material:	1044, Glass Reinforced Epoxy
Operating Pressure:	5000 psig. Pressure testing above 1500 psi performed as required by order.
Operating Temperature:	250°F, 121°C
Voltage Rating:	600vdc
Mounting Thread: (Standard)	7/16-20UNF-2A
Contact Numbering:	Large Pin = #1 then CCW
Mating Connector:	A4FS-(X)

## A4BPH-XSB-E

Bulkhead Socket Connector  
With Removable Insert

### Description

A4BPH-XSB connectors are manufactured with stainless steel connector shell and removable high strength glass reinforced epoxy dielectric contact insert. Contact insert is o-ring sealed to the shell and retained with a spirolox ring. All connectors are electrically tested at 2200vdc (DWV) and 500vdc (IR) with a minimum passing value > 100 megohms. All bulkhead connectors are pressure tested open face to 1500 psi.



### Available Contact Interfaces



1 #10 awg  
1 #14 awg  
**-2**



1 #14 awg  
1 #16 awg  
**-2UM**



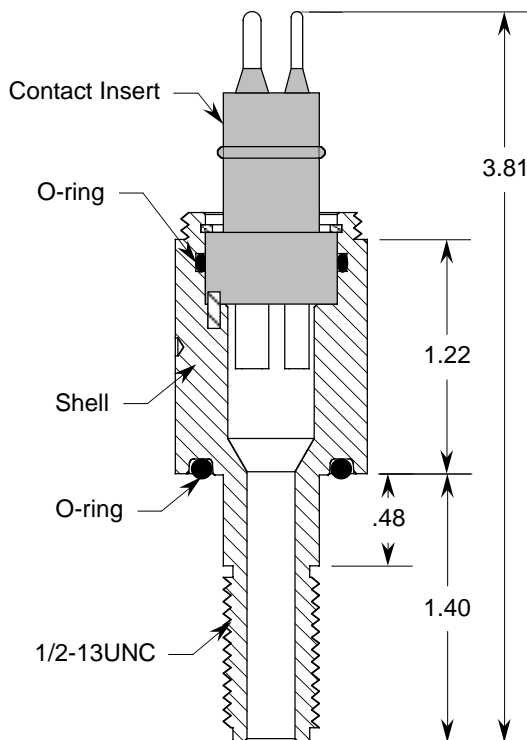
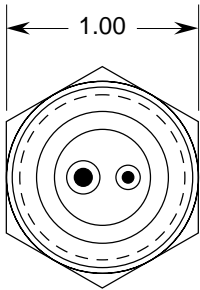
1 #14 awg  
3 #16 awg  
**-4UM**

### Technical Data

Part Number: 3599-  
Contact Material: 360 Brass, Half Hard  
Shell Material: 316 S.S.  
Contact Plating: Gold: Mil-G-45204, Type II, Grade C  
Dielectric Material: 1044, Glass Reinforced Epoxy  
Operating Pressure: 5000 psig. Pressure testing above 1500 psi performed as required by order.  
Operating Temperature: 250°F, 121°C  
Voltage Rating: 600vdc  
Mounting Thread: (Standard) 7/16-20UNF-2A  
Contact Numbering: Large Pin = #1 then CCW  
Mating Connector: A4FS-(X)

### Description

A4BPH-XSB connectors are manufactured with stainless steel connector shell and removable high strength glass reinforced epoxy dielectric contact insert. Contact insert is o-ring sealed to the shell and retained with a spirolox ring. All connectors are electrically tested at 2200vdc (DWV) and 500vdc (IR) with a minimum passing value > 100 megohms. All bulkhead connectors are pressure tested open face to 1500 psi.



### Available Contact Interfaces



1 #10 awg  
1 #14 awg  
**-2**



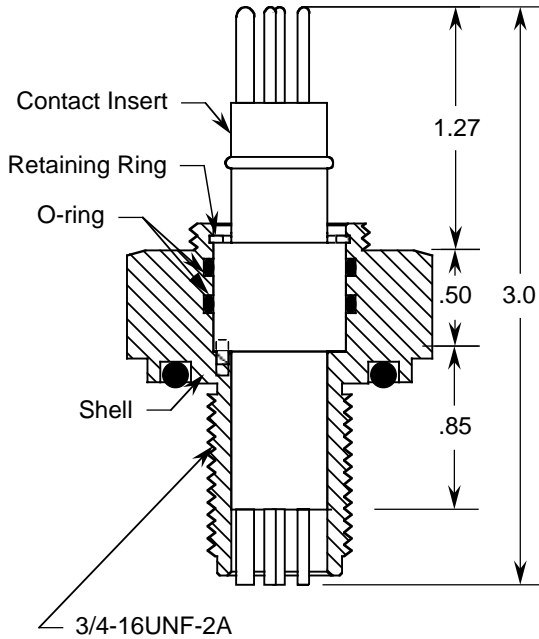
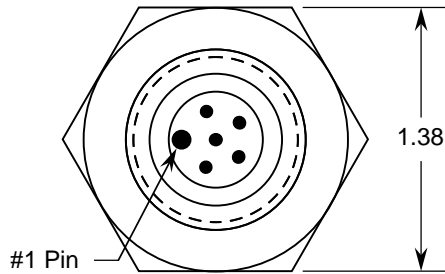
1 #14 awg  
1 #16 awg  
**-2UM**



1 #14 awg  
3 #16 awg  
**-4UM**

### Technical Data

Part Number:	3600-
Contact Material:	360 Brass, Half Hard
Shell Material:	316 S.S.
Contact Plating:	Gold: Mil-G-45204, Type II, Grade C
Dielectric Material:	1044, Glass Reinforced Epoxy
Operating Pressure:	5000 psig. Pressure testing above 1500 psi performed as required by order.
Operating Temperature:	250°F, 121°C
Voltage Rating:	600vdc
Mounting Thread: (Standard)	1/2-13UNC-2
Contact Numbering:	Large Pin = #1 then CCW
Mating Connector:	A4FS-(X)



### Description

A4BPH-XSB connectors are manufactured with a 316 S.S. connector shell and removable high strength glass reinforced epoxy dielectric contact insert. Contact insert is double o-ring sealed to the shell and retained with a spirolox ring. All connectors are electrically tested at 2200vdc (DWV) and 500vdc (IR) with a minimum passing value > 100 megohms. All bulkhead connectors are pressure tested open face to 1500 psi.

### Available Contact Interfaces



1 #10 awg	1 #14 awg	1 #14 awg
1 #14 awg	3 #16 awg	5 #16 awg
<b>-2</b>	<b>-4</b>	<b>-6</b>

### Technical Data

Part Number:	1431-
Contact Material:	360 Brass, Half Hard
Shell Material:	316 S.S., 303 S.S., Ampco 45
Contact Plating:	Gold: Mil-G-45204, Type II, Grade C, Class 1 over .0001 Nickel Base
Dielectric Material:	1044, Glass Reinforced Epoxy
Operating Pressure:	5000 psig. Pressure testing above 1500 psi performed as required by order.
Operating Temperature:	250°F, 121°C
Voltage Rating:	600vdc
Mounting Thread: (Standard)	1.00-14UNS-2A
(Optional)	Large Pin = #1 then CCW
Contact Numbering:	A4FS, A4FS-FA, A4FS-FA-RA
Mating Connector:	

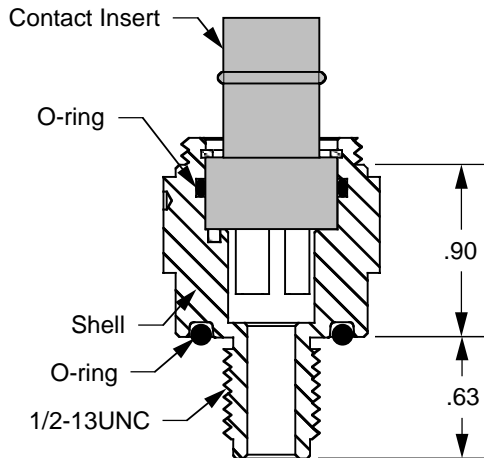
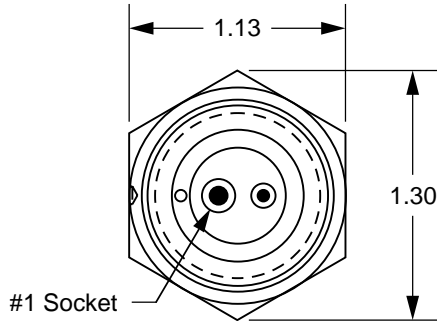


## A4BSH-XSB-C

Bulkhead Socket Connector  
With Removable Insert

### Description

A4BSH-XSB connectors are manufactured with stainless steel connector shell and removable high strength glass reinforced epoxy dielectric contact insert. Contact insert is o-ring sealed to the shell and retained with a spirolox ring. All connectors are electrically tested at 2200vdc (DWV) and 500vdc (IR) with a minimum passing value > 100 megohms. All bulkhead connectors are pressure tested open face to 1500 psi.



### Available Contact Interfaces



1 #14 awg  
1 #16 awg  
**-2UM**



1 #14 awg  
3 #16 awg  
**-4UM**

### Technical Data

Part Number:	2757-
Contact Material:	360 Brass, Half Hard
Shell Material:	316 S.S.
Contact Plating: (Standard)	Gold: Mil-G-45204, Type II, Grade C
Dielectric Material:	1044, Glass Reinforced Epoxy
Operating Pressure:	5000 psig. Pressure testing above 1500 psi performed as required by order.
Operating Temperature:	250°F, 121°C
Voltage Rating:	600vdc
Mounting Thread: (Standard)	1/2-13UNC-2
Contact Numbering:	Large Pin = #1 then CCW
Mating Connector:	A4FP-(X)

## A4BSH-XSB-D

Bulkhead Socket Connector  
With Removable Insert

### Description

A4BPH-XSB connectors are manufactured with stainless steel connector shell and removable high strength glass reinforced epoxy dielectric contact insert. Contact insert is o-ring sealed to the shell and retained with a spirolox ring. All connectors are electrically tested at 2200vdc (DWV) and 500vdc (IR) with a minimum passing value > 100 megohms. All bulkhead connectors are pressure tested open face to 1500 psi.

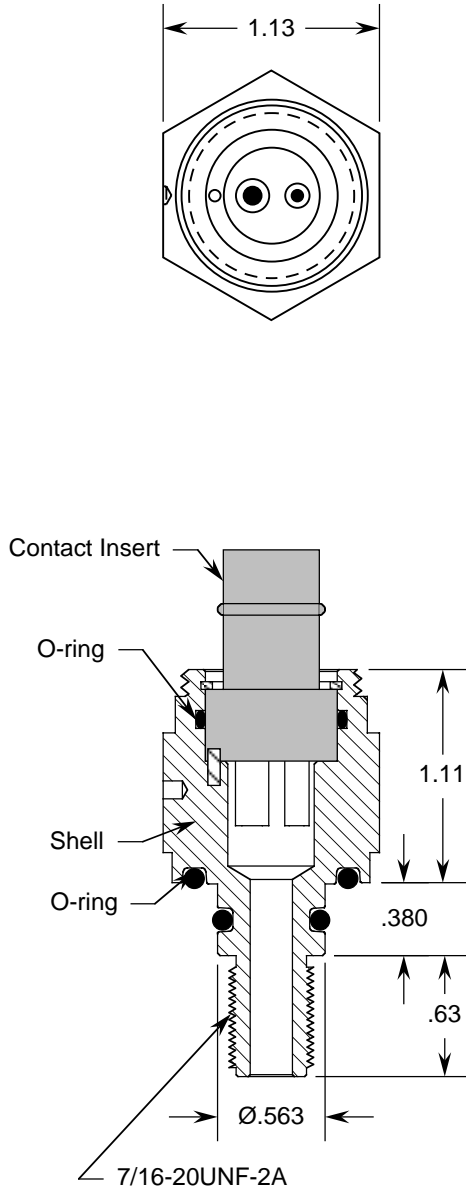
### Available Contact Interfaces



1 #14 awg  
1 #16 awg  
**-2UM**



1 #14 awg  
3 #16 awg  
**-4UM**



### Technical Data

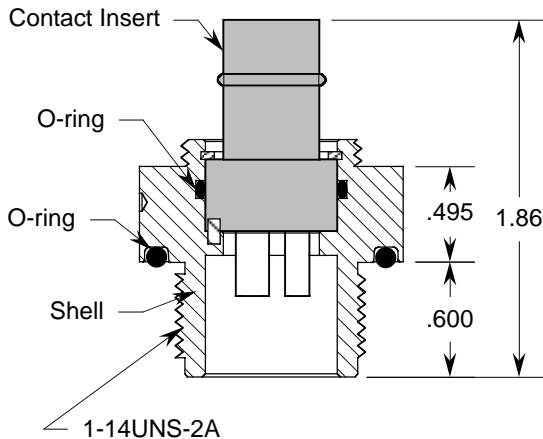
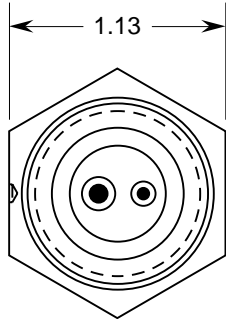
Part Number:	3602-
Contact Material:	360 Brass, Half Hard
Shell Material:	316 S.S.
Contact Plating:	Gold: Mil-G-45204, Type II, Grade C
Dielectric Material:	1044, Glass Reinforced Epoxy
Operating Pressure:	5000 psig. Pressure testing above 1500 psi performed as required by order.
Operating Temperature:	250°F, 121°C
Voltage Rating:	600vdc
Mounting Thread: (Standard)	7/16-20UNF-2A
Contact Numbering:	Large Pin = #1 then CCW
Mating Connector:	A4FS-(X)

## A4BSH-XSB-E

Bulkhead Socket Connector  
With Removable Insert

### Description

A4BSH-XSB connectors are manufactured with stainless steel connector shell and removable high strength glass reinforced epoxy dielectric contact insert. Contact insert is o-ring sealed to the shell and retained with a spirolox ring. All connectors are electrically tested at 2200vdc (DWV) and 500vdc (IR) with a minimum passing value > 100 megohms. All bulkhead connectors are pressure tested open face to 1500 psi.



### Available Contact Interfaces



1 #14 awg  
1 #16 awg  
**-2UM**



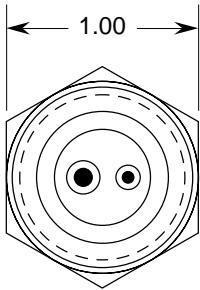
1 #14 awg  
3 #16 awg  
**-4UM**

### Technical Data

Part Number:	3601-
Contact Material:	360 Brass, Half Hard
Shell Material:	316 S.S.
Contact Plating:	Gold: Mil-G-45204, Type II, Grade C
Dielectric Material:	1044, Glass Reinforced Epoxy
Operating Pressure:	5000 psig. Pressure testing above 1500 psi performed as required by order.
Operating Temperature:	250°F, 121°C
Voltage Rating:	600vdc
Mounting Thread: (Standard)	1-14UNS-2A
Contact Numbering:	Large Pin = #1 then CCW
Mating Connector:	A4FS-(X)

### Description

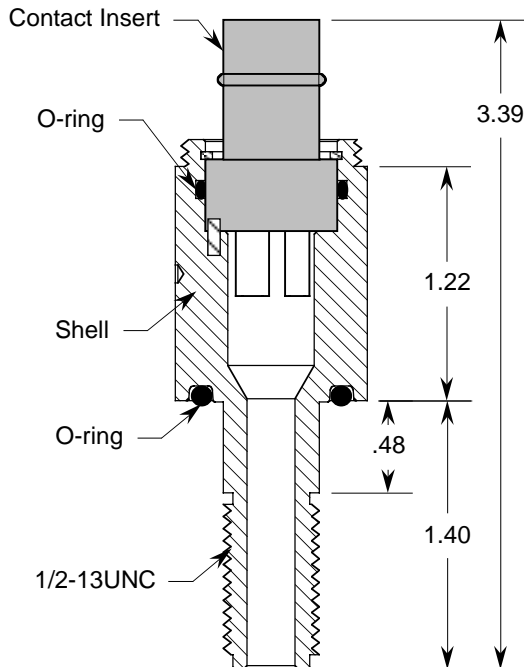
A4BSH-XSB connectors are manufactured with stainless steel connector shell and removable high strength glass reinforced epoxy dielectric contact insert. Contact insert is o-ring sealed to the shell and retained with a spirolox ring. All connectors are electrically tested at 2200vdc (DWV) and 500vdc (IR) with a minimum passing value > 100 megohms. All bulkhead connectors are pressure tested open face to 1500 psi.



### Available Contact Interfaces



1 #14 awg	1 #14 awg
1 #16 awg	3 #16 awg
<b>-2UM</b>	<b>-4UM</b>



### Technical Data

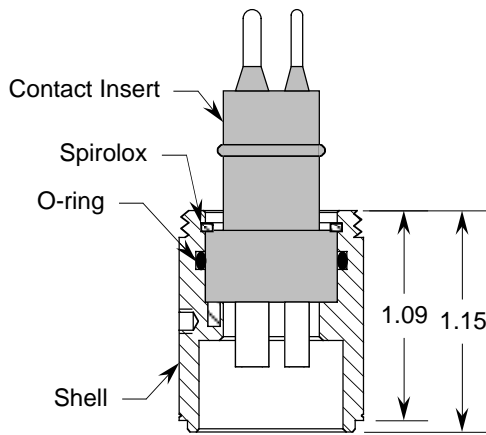
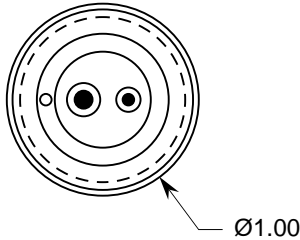
Part Number:	3606-
Contact Material:	360 Brass, Half Hard
Shell Material:	316 S.S.
Contact Plating:	Gold: Mil-G-45204, Type II, Grade C
Dielectric Material:	1044, Glass Reinforced Epoxy
Operating Pressure:	5000 psig. Pressure testing above 1500 psi performed as required by order.
Operating Temperature:	250°F, 121°C
Voltage Rating:	600vdc
Mounting Thread: (Standard)	1/2-13UNC-2
Contact Numbering:	Large Pin = #1 then CCW
Mating Connector:	A4FS-(X)

## A4WBP-XSB

Welded Bulkhead Connector  
With Removable Insert

### Description

A4WBP-XSB connectors are manufactured with 316L stainless steel connector shell and removable high strength glass reinforced epoxy contact insert. Contact insert is o-ring sealed to the shell and retained with a spirolox ring. All connectors are electrically tested at 2200vdc (DWV) and 500vdc (IR) with a minimum passing value > 100 megohms. All bulkhead connectors are pressure tested open face to 1500 psi.



### Available Contact Interfaces



1 #14 awg  
1 #16 awg  
**-2UM**



1 #14 awg  
3 #16 awg  
**-4UM**

### Technical Data

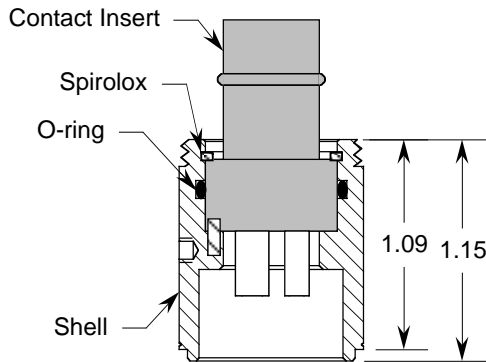
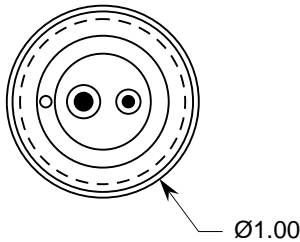
Part Number:	3603-
Contact Material:	360 Brass, Half Hard
Shell Material:	316L S.S.
Contact Plating:	Gold: Mil-G-45204, Type II, Grade C
Dielectric Material:	1044, Glass Reinforced Epoxy
Operating Pressure:	5000 psig. Pressure testing above 1500 psi performed as required by order.
Operating Temperature:	250°F, 121°C
Voltage Rating:	600vdc
Mount:	Weld Flange
Contact Numbering:	Large Pin = #1 then CCW
Mating Connector:	A4FS-(X)

## A4WBS-XSB

Welded Bulkhead Connector  
With Removable Insert

### Description

A4WBS-XSB connectors are manufactured with 316L stainless steel connector shell and removable high strength glass reinforced epoxy contact insert. Contact insert is o-ring sealed to the shell and retained with a spirolox ring. All connectors are electrically tested at 2200vdc (DWV) and 500vdc (IR) with a minimum passing value > 100 megohms. All bulkhead connectors are pressure tested open face to 1500 psi.



### Available Contact Interfaces



1 #14 awg  
1 #16 awg  
**-2UM**



1 #14 awg  
3 #16 awg  
**-4UM**

### Technical Data

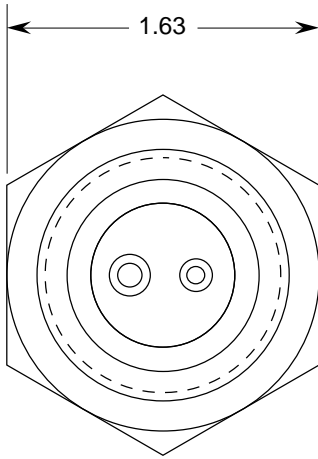
Part Number:	3604-
Contact Material:	Leaded Nickel Copper, S.S. Hood
Shell Material:	316L S.S.
Contact Plating:	Gold: Mil-G-45204, Type II, Grade C
Dielectric Material:	1044, Glass Reinforced Epoxy
Operating Pressure:	5000 psig. Pressure testing above 1500 psi performed as required by order.
Operating Temperature:	250°F, 121°C
Voltage Rating:	600vdc
Mount:	Weld Flange
Contact Numbering:	Large Pin = #1 then CCW
Mating Connector:	A4FS-(X)

## A6BSH-XSB

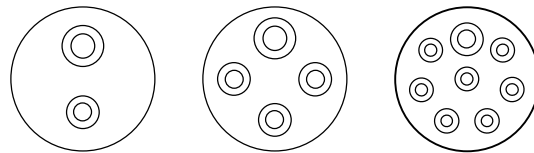
**Bulkhead Connector  
With Removable Insert**

### Description

A6BPH-XSB connectors are manufactured with 316 stainless steel connector shell and removable high strength glass reinforced epoxy contact insert. Contact insert is o-ring sealed to the shell and retained with a spirolox ring. All connectors are electrically tested at 2200vdc (DWV) and 500vdc (IR) with a minimum passing value > 100 megohms. All bulkhead connectors are pressure tested open face to 1500 psi.



### Available Contact Interfaces



1 #10 awg  
1 #14 awg

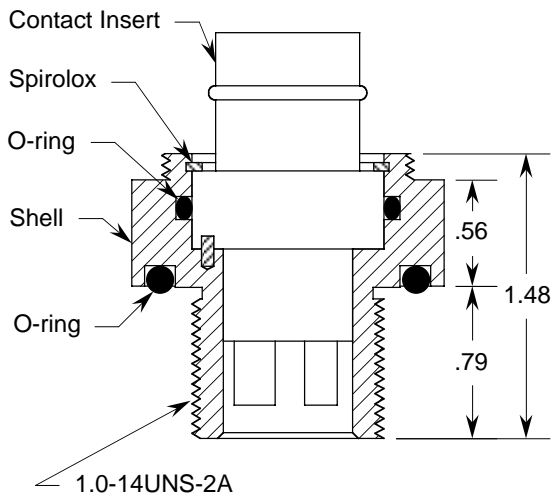
**-2UM**

1 #10awg  
3 #14 awg

**-4UM**

1 #14 awg  
7 #16 awg

**-8UM**

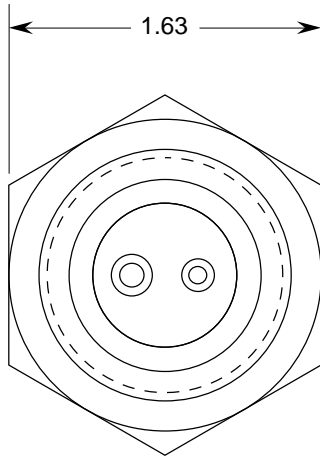


### Technical Data

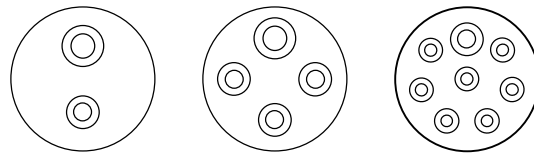
Part Number:	3298-
Contact Material:	360 Brass, Half Hard
Shell Material:	316 S.S.
Contact Plating:	Gold: Mil-G-45204, Type II, Grade C
Dielectric Material:	1044, Glass Reinforced Epoxy
Operating Pressure:	5000 psig. Pressure testing above 1500 psi performed as required by order.
Operating Temperature:	250°F, 121°C
Voltage Rating:	600vdc
Mounting Thread:	1-14UNS-2A
Contact Numbering:	Large Pin = #1 then CCW
Mating Connector:	A6FS-(X)

### Description

A6BSH-XSBDE connectors are manufactured with 316 stainless steel connector shell and removable high strength glass reinforced epoxy contact insert. Contact insert is o-ring sealed to the shell and retained with a spirolox ring. All connectors are electrically tested at 2200vdc (DWV) and 500vdc (IR) with a minimum passing value > 100 megohms. All bulkhead connectors are pressure tested open face to 1500 psi.



### Available Contact Interfaces



1 #10 awg  
1 #14 awg

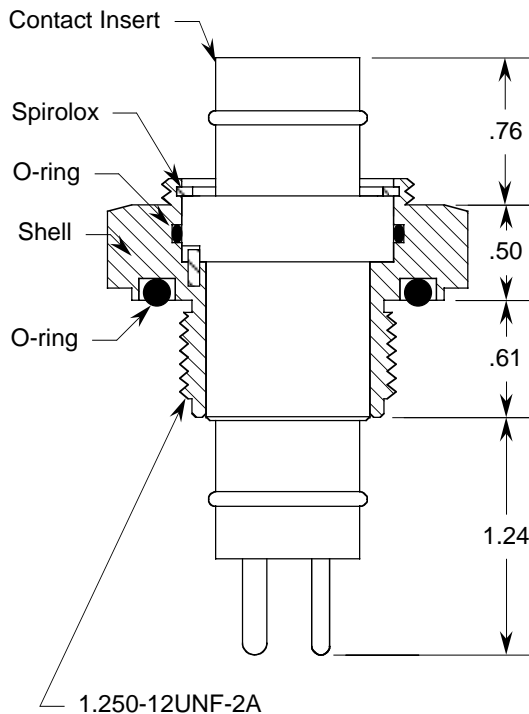
**-2UM**

1 #10awg  
3 #14 awg

**-4UM**

1 #14 awg  
7 #16 awg

**-8UM**



### Technical Data

Part Number:	1806-
Contact Material:	Leaded Nickel Copper, S.S. Hood
Shell Material:	316 S.S.
Contact Plating:	Gold: Mil-G-45204, Type II, Grade C
Dielectric Material:	1044, Glass Reinforced Epoxy
Operating Pressure:	5000 psig. Pressure testing above 1500 psi performed as required by order.
Operating Temperature:	250°F, 121°C
Voltage Rating:	600vdc
Mounting Thread:	1.250-12UNF-2A
Contact Numbering:	Large Pin = #1 then CCW
Mating Connector:	A6FS-(X)