

Downhole Connectors High Pressure HP/HT & Medium Pressure MP/MT

The HP/HT and MP/MT connector series is designed for use in downhole applications. Connectors are available in 1 to 15 contacts with outside diameter less than .750". These connectors are pressure rated up to 20,000psi @ 200°C (392°F). Uses include LWD and MWD tools. Some connectors also available as a penetrator.

SPECIFICATIONS

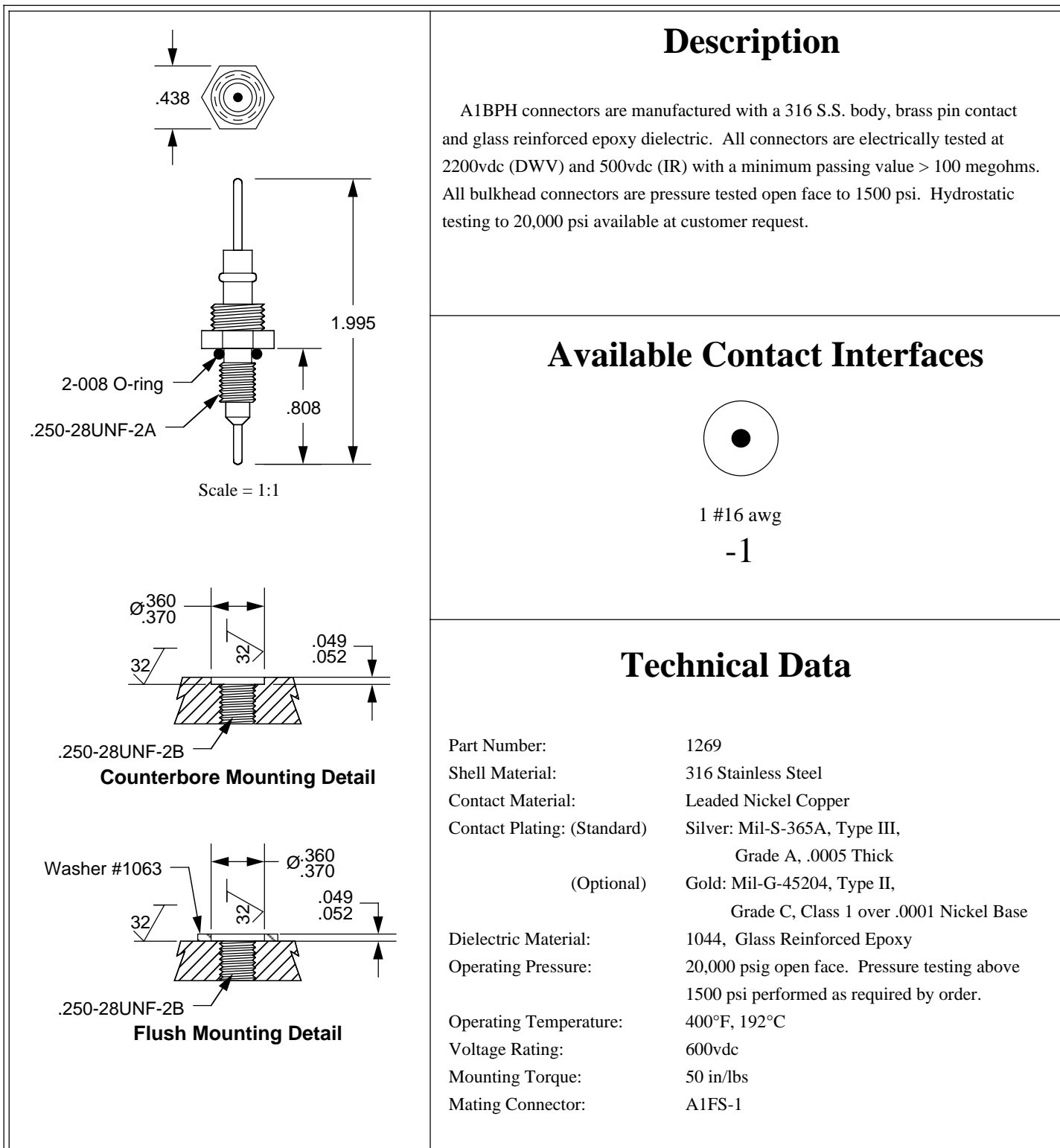
Materials:	Shells:	316ss, 17-4ss, Ampco 45
	Support Rings:	Ampco 45
	Insulator:	Proprietary Glass/Epoxy Composite
	Contacts:	Leaded Nickel Copper Beryllium Copper
	Plating:	Gold
	Seal:	Viton® 90

Contact Size: #22awg to #16awg
Contact Clocking: Male: CCW, Female: CW

Pressure: 20,000psi @ 200°C (HP/HT)
10,000psi @ 150°C (MP/MT)

Electrical: DWV: 2.2kvdc up to 12kvdc on single contact HV connectors
IR: 1000 megohms minimum @ 500vdc

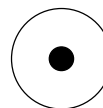




Description

A1BPH connectors are manufactured with a 316 S.S. body, brass pin contact and glass reinforced epoxy dielectric. All connectors are electrically tested at 2200vdc (DWV) and 500vdc (IR) with a minimum passing value > 100 megohms. All bulkhead connectors are pressure tested open face to 1500 psi. Hydrostatic testing to 20,000 psi available at customer request.

Available Contact Interfaces



1 #16 awg
-1

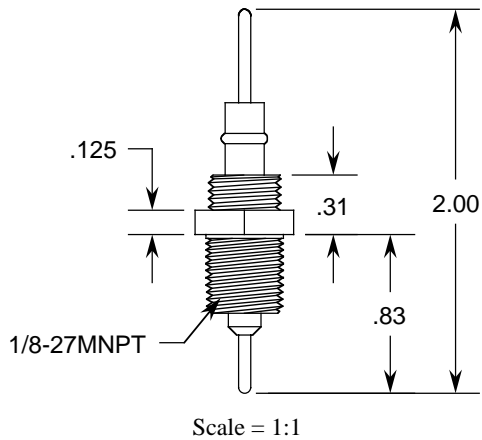
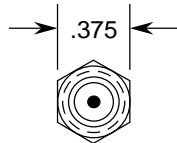
Technical Data

Part Number:	1269
Shell Material:	316 Stainless Steel
Contact Material:	Leaded Nickel Copper
Contact Plating: (Standard)	Silver: Mil-S-365A, Type III, Grade A, .0005 Thick
(Optional)	Gold: Mil-G-45204, Type II, Grade C, Class 1 over .0001 Nickel Base
Dielectric Material:	1044, Glass Reinforced Epoxy
Operating Pressure:	20,000 psig open face. Pressure testing above 1500 psi performed as required by order.
Operating Temperature:	400°F, 192°C
Voltage Rating:	600vdc
Mounting Torque:	50 in/lbs
Mating Connector:	A1FS-1

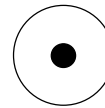
Description

A1BPH-1/8NPT connectors are manufactured with a 316 S.S. shell, beryllium copper pin contact and glass reinforced epoxy dielectric. All connectors are electrically tested at 2,200vdc (DWV) and 500vdc (IR) with a minimum passing value > 100 megohms.

All bulkhead connectors are pressure tested open face to 1500 psi. Hydrostatic testing to 20,000 psi combined with temperature to 200°C available at customer request.



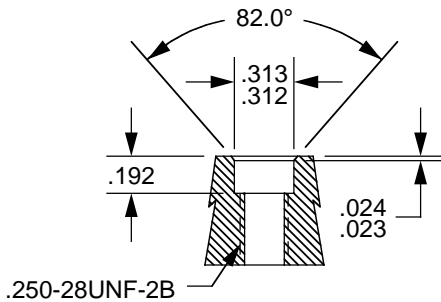
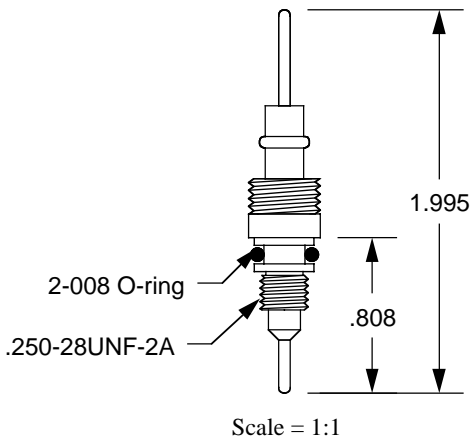
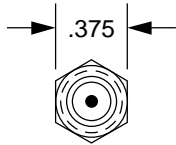
Available Contact Interfaces



1 #16 awg
-1

Technical Data

Part Number:	1275
Shell Material:	316 Stainless Steel
Contact Material:	Beryllium Copper
Contact Plating: (Standard)	Gold: Mil-G-45204, Type II, Grade C, Class 1 over .0001 Nickel Base
Dielectric Material:	1044, Glass Reinforced Epoxy
Operating Pressure:	20,000 psig open face. Pressure testing above 1500 psi performed as required by order.
Operating Temperature:	200°C
Voltage Rating:	600vdc
Mounting Torque:	50 in/lbs
Mating Connector:	A1FS-1, A1FS-FA

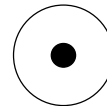


Mounting Detail

Description

A1BPHR connectors are manufactured with a 316 S.S. body, beryllium copper pin contact and glass reinforced epoxy dielectric. All connectors are electrically tested at 2500vdc (DWV) and 500vdc (IR) with a minimum passing value > 100 megohms. All bulkhead connectors are pressure tested open face to 1500 psi. Hydrostatic testing to 20,000 psi combined with temperature to 400°F available at customer request.

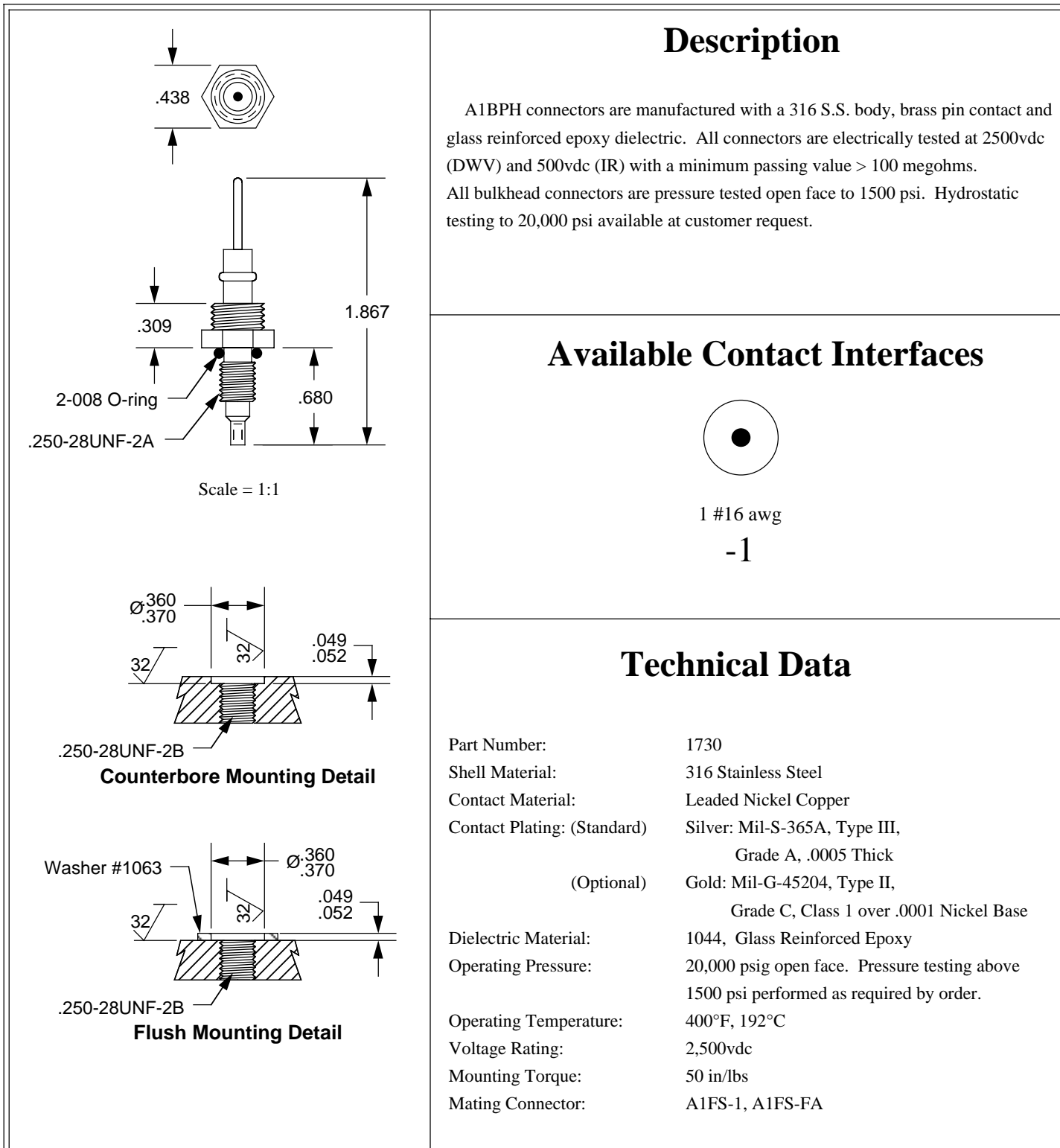
Available Contact Interfaces



1 #16 awg
-1

Technical Data

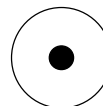
Part Number:	1521-
Shell Material:	316 Stainless Steel
Contact Material:	Beryllium Copper
Contact Plating: (Standard)	Gold: Mil-G-45204, Type II, Grade C, Class 1 over .0001 Nickel Base
Dielectric Material:	1044, Glass Reinforced Epoxy
Operating Pressure:	20,000 psig open face. Pressure testing above 1500 psi performed as required by order.
Operating Temperature:	400°F, 192°C
Voltage Rating:	2500vdc
Mounting Torque:	50 in/lbs
Mating Connector:	A1FS-1, A1FS-FA



Description

A1BPH connectors are manufactured with a 316 S.S. body, brass pin contact and glass reinforced epoxy dielectric. All connectors are electrically tested at 2500vdc (DWV) and 500vdc (IR) with a minimum passing value > 100 megohms. All bulkhead connectors are pressure tested open face to 1500 psi. Hydrostatic testing to 20,000 psi available at customer request.

Available Contact Interfaces



1 #16 awg
-1

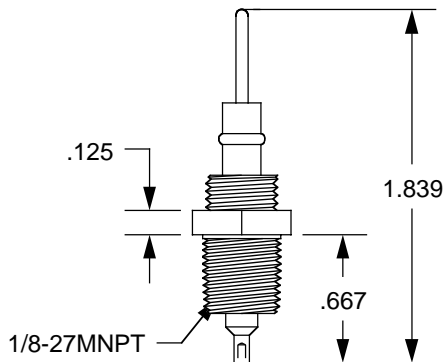
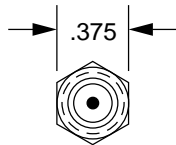
Technical Data

Part Number:	1730
Shell Material:	316 Stainless Steel
Contact Material:	Leaded Nickel Copper
Contact Plating: (Standard)	Silver: Mil-S-365A, Type III, Grade A, .0005 Thick
(Optional)	Gold: Mil-G-45204, Type II, Grade C, Class 1 over .0001 Nickel Base
Dielectric Material:	1044, Glass Reinforced Epoxy
Operating Pressure:	20,000 psig open face. Pressure testing above 1500 psi performed as required by order.
Operating Temperature:	400°F, 192°C
Voltage Rating:	2,500vdc
Mounting Torque:	50 in/lbs
Mating Connector:	A1FS-1, A1FS-FA

Description

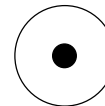
A1BPHS-1/8NPT connectors are manufactured with a 316 S.S. body, 360 Brass pin contact and glass reinforced epoxy dielectric. All connectors are electrically tested at 2,200vdc (DWV) and 500vdc (IR) with a minimum passing value > 100 megohms.

All bulkhead connectors are pressure tested open face to 1500 psi. Hydrostatic testing to 20,000 psi combined with temperature to 200°C available at customer request.



Scale = 1:1

Available Contact Interfaces



1 #16 awg

-1

Technical Data

Part Number:	2394
Shell Material:	316 Stainless Steel
Contact Material:	360 Brass
Contact Plating: (Standard)	Gold: Mil-G-45204, Type II, Grade C, Class 1 over .0001 Nickel Base
Dielectric Material:	1044, Glass Reinforced Epoxy
Operating Pressure:	20,000 psig open face. Pressure testing above 1500 psi performed as required by order.
Operating Temperature:	400°F, 192°C
Voltage Rating:	600vdc
Mounting Torque:	50 in/lbs
Mating Connector:	A1FS-1, A1FS-FA

Description

This High Pressure/Temperature insert features a Toughened High Glass Thermoset Epoxy body which provides a Uni-directional pressure barrier to 20kpsi @ 200°C.

Applications

- MWD/LWD Tools
- Battery Packages
- Downhole Electronic Enclosures
- High Pressure Wellhead Exits
- Geophone Arrays
- D.S.U.S.

TECHNICAL SPECIFICATIONS

Materials

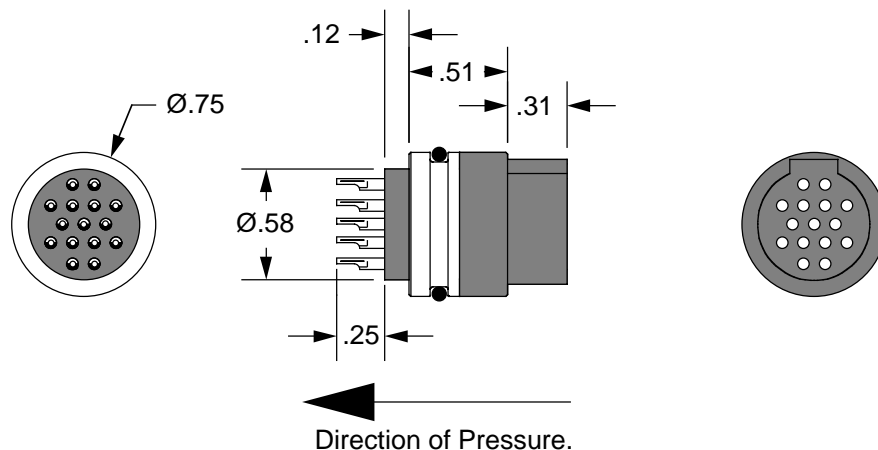
- Connector Body: AMPCO 45 - NiAlBr
- O-rings: Viton - 90 Durometer
- Contacts: Leaded Nickel Copper, Stainless Steel Hood
- Contact Plating: Gold: Mil-G-45204, Type II, Grade C, Class 1 over .0001 Nickel Base

Performance

- Operating Pressure: 20,000 psig, bi-directional
- Operating Temperature: 200°C @ 20,000 psig

Electrical

- Voltage Rating: 600 vdc
- Insulation Resistance: >10 gigohms @ 500vdc @ 200°C
- Dielectric Withstanding: 1,000 vdc



Description

This High Pressure/Temperature insert features a Toughened High Glass Thermoset Epoxy body which provides a Uni-directional pressure barrier to 20kpsi @ 200°C.

Applications

- MWD/LWD Tools
- Battery Packages
- Downhole Electronic Enclosures
- High Pressure Wellhead Exits
- Geophone Arrays
- D.S.U.S.

TECHNICAL SPECIFICATIONS

Materials

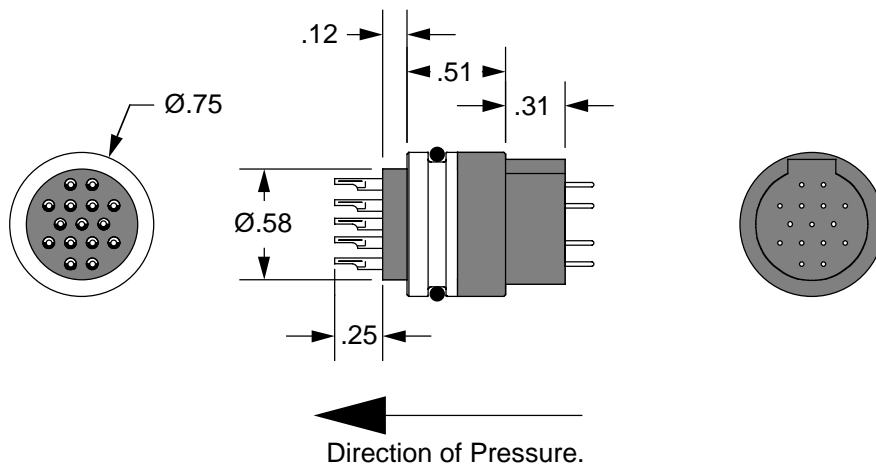
- Connector Body: AMPCO 45 - NiAlBr
- O-rings: Viton - 90 Durometer
- Contacts: Leaded Nickel Copper, Stainless Steel Hood
- Contact Plating: Gold: Mil-G-45204, Type II, Grade C, Class 1 over .0001 Nickel Base

Performance

- Operating Pressure: 20,000 psig, bi-directional
- Operating Temperature: 200°C @ 20,000 psig

Electrical

- Voltage Rating: 600 vdc
- Insulation Resistance: >10 gigohms @ 500vdc @ 200°C
- Dielectric Withstanding: 1,000 vdc



Description

This High Pressure/Temperature insert features a Toughened High Glass Thermoset Epoxy body which provides a bi-directional pressure barrier to 20kpsi @ 400°f.

Applications

- MWD/LWD Tools
- Battery Packages
- Downhole Electronic Enclosures
- High Pressure Wellhead Exits
- Geophone Arrays
- D.S.U.S.

TECHNICAL SPECIFICATIONS

Materials

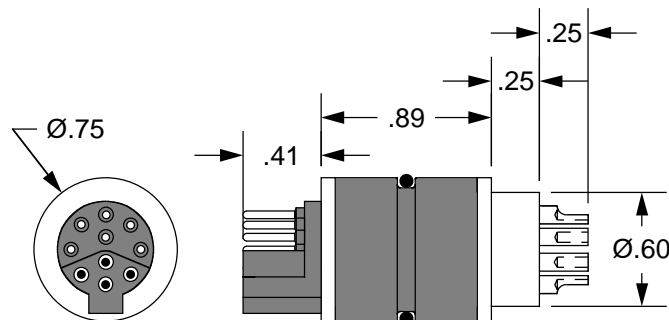
- Face Rings: AMPCO 45 - NiAlBr
- O-rings: Viton - 90 Durometer
- Contacts: Leaded Nickel Copper, Stainless Steel Hood
- Contact Plating: Gold: Mil-G-45204, Type II, Grade C, Class 1 over .0001 Nickel Base

Performance

- Operating Pressure: 20,000 psig, bi-directional
- Operating Temperature: 200°C @ 20,000 psig

Electrical

- Voltage Rating: 600 vdc
- Insulation Resistance: >10 gigohms @ 500vdc @ 200°C
- Dielectric Withstanding: 1,000 vdc



4 #20 awg Sockets
 6 #20 awg Pins

Description

This High Pressure/Temperature insert features a Toughened High Glass Thermoset Epoxy body which provides a bi-directional pressure barrier to 20kpsi @ 200°C.

Applications

- MWD/LWD Tools
- Battery Packages
- Downhole Electronic Enclosures
- High Pressure Wellhead Exits
- Geophone Arrays
- D.S.U.S.

TECHNICAL SPECIFICATIONS

Materials

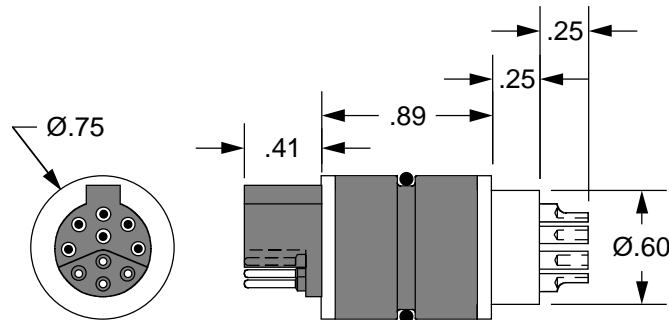
- Face Rings: AMPCO 45 - NiAlBr
- O-rings: Viton - 90 Durometer
- Contacts: Leaded Nickel Copper, Stainless Steel Hood
- Contact Plating: Gold: Mil-G-45204, Type II, Grade C, Class 1 over .0001 Nickel Base

Performance

- Operating Pressure: 20,000 psig, bi-directional
- Operating Temperature: 200°C @ 20,000 psig

Electrical

- Voltage Rating: 600 vdc
- Insulation Resistance: >10 gigohms @ 500vdc @ 200°C
- Dielectric Withstanding: 1,000 vdc



6 #20 awg Sockets
 4 #20 awg Pins

Description

This High Pressure/Temperature insert features a Toughened High Glass Thermoset Epoxy body which provides a bi-directional pressure barrier to 10kpsi @ 150°C.

Applications

- MWD/LWD Tools
- Battery Packages
- Downhole Electronic Enclosures
- High Pressure Wellhead Exits
- Geophone Arrays
- D.S.U.S.

TECHNICAL SPECIFICATIONS

Materials

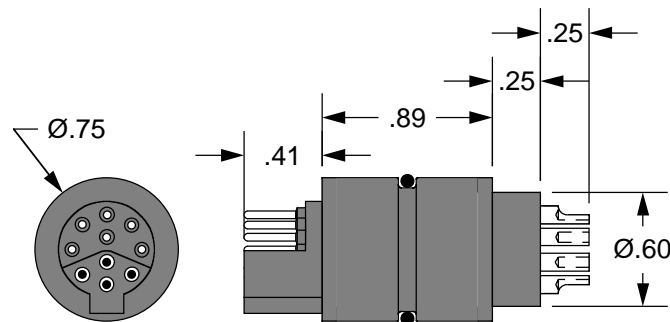
- O-rings: Viton - 90 Durometer
- Contacts: Leaded Nickel Copper, Stainless Steel Hood
- Contact Plating: Gold: Mil-G-45204, Type II, Grade C, Class 1 over .0001 Nickel Base

Performance

- Operating Pressure: 10,000 psig, bi-directional
- Operating Temperature: 150°C @ 10,000 psig

Electrical

- Voltage Rating: 600 vdc
- Insulation Resistance: >10 gigohms @ 500vdc @ 200°C
- Dielectric Withstanding: 1,000 vdc



4 #20 awg Sockets
 6 #20 awg Pins

Description

This High Pressure/Temperature insert features a Toughened High Glass Thermoset Epoxy body which provides a bi-directional pressure barrier to 10kpsi @ 150°C.

Applications

- MWD/LWD Tools
- Battery Packages
- Downhole Electronic Enclosures
- High Pressure Wellhead Exits
- Geophone Arrays
- D.S.U.S.

TECHNICAL SPECIFICATIONS

Materials

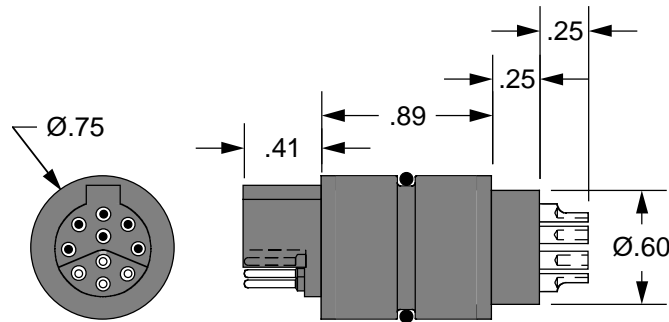
- O-rings: Viton - 90 Durometer
- Contacts: Leaded Nickel Copper, Stainless Steel Hood
- Contact Plating: Gold: Mil-G-45204, Type II, Grade C, Class 1 over .0001 Nickel Base

Performance

- Operating Pressure: 10,000 psig, bi-directional
- Operating Temperature: 150°C @ 10,000 psig

Electrical

- Voltage Rating: 600 vdc
- Insulation Resistance: >10 gigohms @ 500vdc @ 200°C
- Dielectric Withstanding: 1,000 vdc



6 #20 awg Sockets
 4 #20 awg Pins

Description

This High Pressure/Temperature insert features a Toughened High Glass Thermoset Epoxy body which provides a bi-directional pressure barrier to 10kpsi @ 150°C.

Applications

- MWD/LWD Tools
- Battery Packages
- Downhole Electronic Enclosures
- High Pressure Wellhead Exits
- Geophone Arrays
- D.S.U.S.

TECHNICAL SPECIFICATIONS

Materials

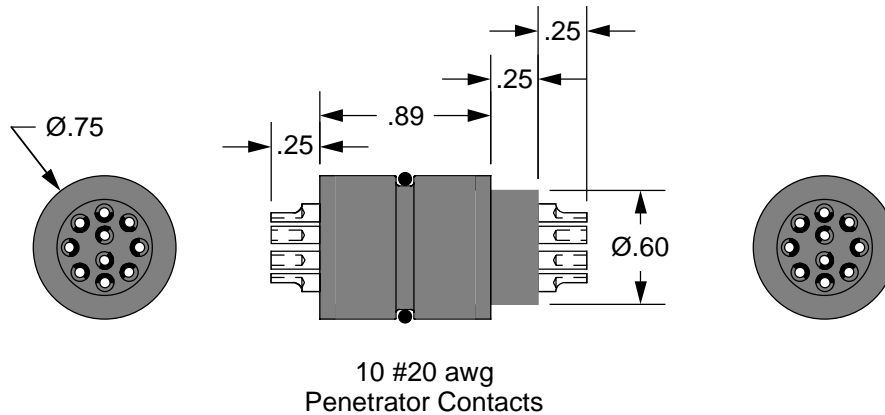
- O-rings: Viton - 90 Durometer
- Contacts: Leaded Nickel Copper, Stainless Steel Hood
- Contact Plating: Gold: Mil-G-45204, Type II, Grade C, Class 1 over .0001 Nickel Base

Performance

- Operating Pressure: 10,000 psig, bi-directional
- Operating Temperature: 150°C @ 10,000 psig

Electrical

- Voltage Rating: 600 vdc
- Insulation Resistance: >10 gigohms @ 500vdc @ 150°C
- Dielectric Withstanding: 1,000 vdc



Description

This High Pressure/Temperature insert features a Toughened High Glass Thermoset Epoxy body which provides a bi-directional pressure barrier to 20kpsi @ 200°C.

Applications

- MWD/LWD Tools
- Battery Packages
- Downhole Electronic Enclosures
- High Pressure Wellhead Exits
- Geophone Arrays
- D.S.U.S.

TECHNICAL SPECIFICATIONS

Materials

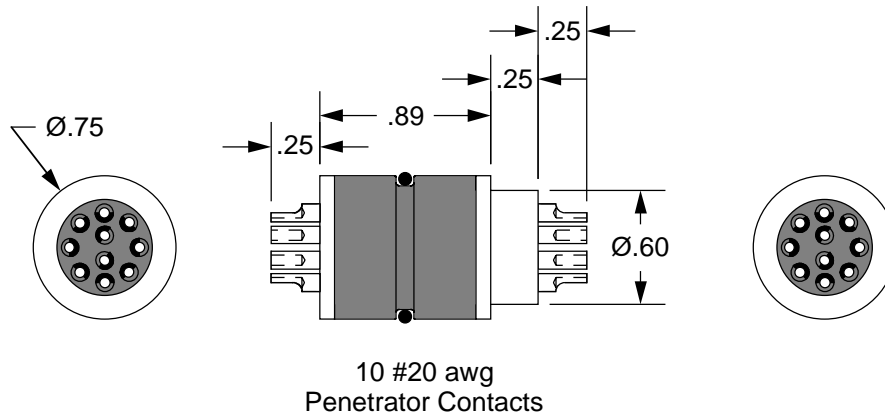
- Face Rings: AMPCO 45 - NiAlBr
- O-rings: Viton - 90 Durometer
- Contacts: Leaded Nickel Copper, Stainless Steel Hood
- Contact Plating: Gold: Mil-G-45204, Type II, Grade C, Class 1 over .0001 Nickel Base

Performance

- Operating Pressure: 20,000 psig, bi-directional
- Operating Temperature: 200°C @ 20,000 psig

Electrical

- Voltage Rating: 600 vdc
- Insulation Resistance: >10 gigohms @ 500vdc @ 200°C
- Dielectric Withstanding: 1,000 vdc



Description

This High Pressure/Temperature insert features a Toughened High Glass Thermoset Epoxy body which provides a bi-directional pressure barrier to 20kpsi @ 200°C.

Applications

- MWD/LWD Tools
- Battery Packages
- Downhole Electronic Enclosures
- High Pressure Wellhead Exits
- Geophone Arrays
- D.S.U.S.

TECHNICAL SPECIFICATIONS

Materials

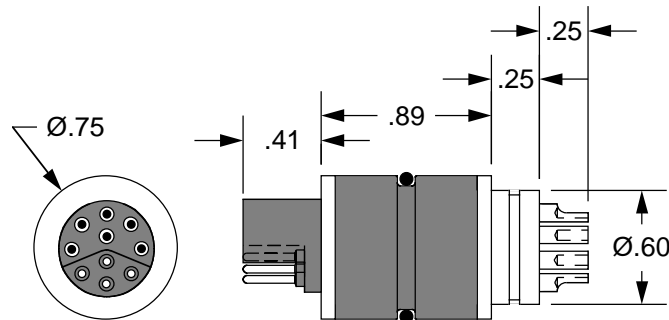
- Face Rings: AMPCO 45 - NiAlBr
- O-rings: Viton - 90 Durometer
- Contacts: Leaded Nickel Copper, Stainless Steel Hood
- Contact Plating: Gold: Mil-G-45204, Type II, Grade C, Class 1 over .0001 Nickel Base

Performance

- Operating Pressure: 20,000 psig, bi-directional
- Operating Temperature: 200°C @ 20,000 psig

Electrical

- Voltage Rating: 600 vdc
- Insulation Resistance: >10 gigohms @ 500vdc @ 200°C
- Dielectric Withstanding: 1,000 vdc



6 #20 awg Sockets
 4 #20 awg Pins

Description

This High Pressure/Temperature insert features a Toughened High Glass Thermoset Epoxy body which provides a bi-directional pressure barrier to 20kpsi @ 200°C.

Applications

- MWD/LWD Tools
- Battery Packages
- Downhole Electronic Enclosures
- High Pressure Wellhead Exits
- Geophone Arrays
- D.S.U.S.

TECHNICAL SPECIFICATIONS

Materials

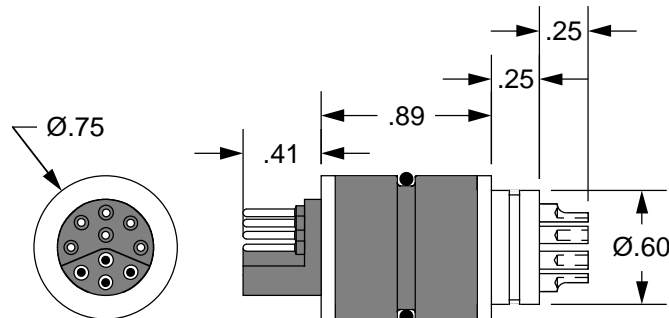
- Face Rings: AMPCO 45 - NiAlBr
- O-rings: Viton - 90 Durometer
- Contacts: Leaded Nickel Copper, Stainless Steel Hood
- Contact Plating: Gold: Mil-G-45204, Type II, Grade C, Class 1 over .0001 Nickel Base

Performance

- Operating Pressure: 20,000 psig, bi-directional
- Operating Temperature: 200°C @ 20,000 psig

Electrical

- Voltage Rating: 600 vdc
- Insulation Resistance: >10 gigohms @ 500vdc @ 200°C
- Dielectric Withstanding: 1,000 vdc



4 #20 awg Sockets
 6 #20 awg Pins

Description

This High Pressure/Temperature insert features a Toughened High Glass Thermoset Epoxy body which provides a bi-directional pressure barrier to 20kpsi @ 200°C.

Applications

- MWD/LWD Tools
- Battery Packages
- Downhole Electronic Enclosures
- High Pressure Wellhead Exits
- Geophone Arrays
- D.S.U.S.

TECHNICAL SPECIFICATIONS

Materials

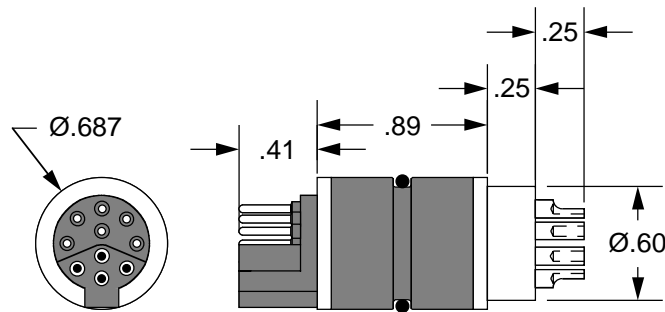
- Face Rings: AMPCO 45 - NiAlBr
- O-rings: Viton - 90 Durometer
- Contacts: Leaded Nickel Copper, Stainless Steel Hood
- Contact Plating: Gold: Mil-G-45204, Type II, Grade C, Class 1 over .0001 Nickel Base

Performance

- Operating Pressure: 20,000 psig, bi-directional
- Operating Temperature: 200°C @ 20,000 psig

Electrical

- Voltage Rating: 600 vdc
- Insulation Resistance: >10 gigohms @ 500vdc @ 200°C
- Dielectric Withstanding: 1,000 vdc



4 #20 awg Sockets
 6 #20 awg Pins

Description

This High Pressure/Temperature insert features a Toughened High Glass Thermoset Epoxy body which provides a bi-directional pressure barrier to 20kpsi @ 200°C.

Applications

- MWD/LWD Tools
- Battery Packages
- Downhole Electronic Enclosures
- High Pressure Wellhead Exits
- Geophone Arrays
- D.S.U.S.

TECHNICAL SPECIFICATIONS

Materials

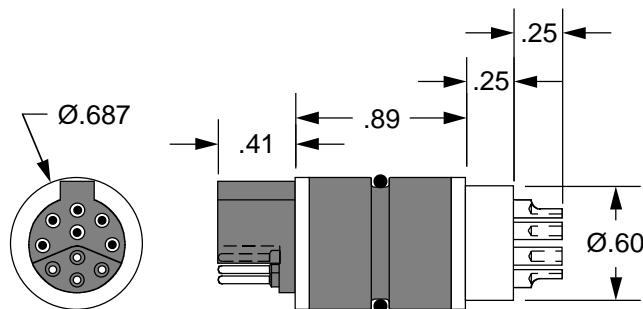
- Face Rings: AMPCO 45 - NiAlBr
- O-rings: Viton - 90 Durometer
- Contacts: Leaded Nickel Copper, Stainless Steel Hood
- Contact Plating: Gold: Mil-G-45204, Type II, Grade C, Class 1 over .0001 Nickel Base

Performance

- Operating Pressure: 20,000 psig, bi-directional
- Operating Temperature: 200°C @ 20,000 psig

Electrical

- Voltage Rating: 600 vdc
- Insulation Resistance: >10 gigohms @ 500vdc @ 200°C
- Dielectric Withstanding: 1,000 vdc



6 #20 awg Sockets
 4 #20 awg Pins

Description

This High Pressure/Temperature insert features a Toughened High Glass Thermoset Epoxy body which provides a bi-directional pressure barrier to 10kpsi @ 150°C.

Applications

- MWD/LWD Tools
- Battery Packages
- Downhole Electronic Enclosures
- High Pressure Wellhead Exits
- Geophone Arrays
- D.S.U.S.

TECHNICAL SPECIFICATIONS

Materials

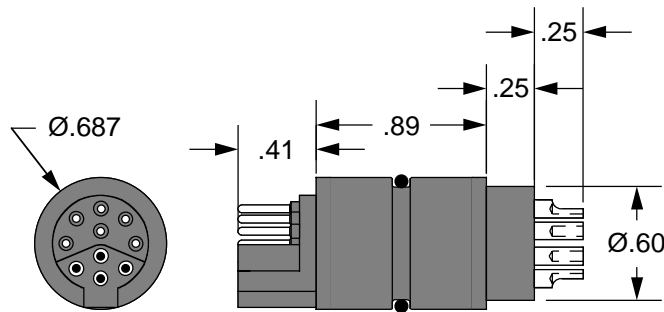
- O-rings: Viton - 90 Durometer
- Contacts: Leaded Nickel Copper, Stainless Steel Hood
- Contact Plating: Gold: Mil-G-45204, Type II, Grade C, Class 1 over .0001 Nickel Base

Performance

- Operating Pressure: 10,000 psig, bi-directional
- Operating Temperature: 150°C @ 10,000 psig

Electrical

- Voltage Rating: 600 vdc
- Insulation Resistance: >10 gigohms @ 500vdc @ 200°C
- Dielectric Withstanding: 1,000 vdc



4 #20 awg Sockets
 6 #20 awg Pins

Description

This High Pressure/Temperature insert features a Toughened High Glass Thermoset Epoxy body which provides a bi-directional pressure barrier to 10kpsi @ 150°C.

Applications

- MWD/LWD Tools
- Battery Packages
- Downhole Electronic Enclosures
- High Pressure Wellhead Exits
- Geophone Arrays
- D.S.U.S.

TECHNICAL SPECIFICATIONS

Materials

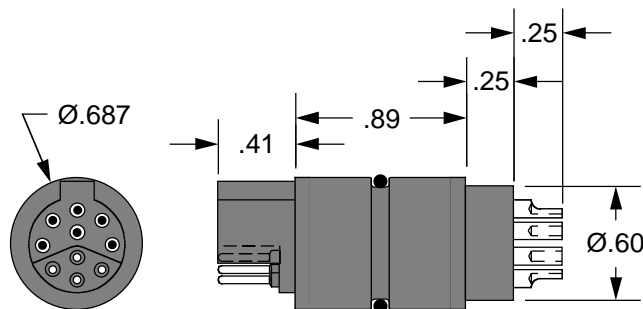
- O-rings: Viton - 90 Durometer
- Contacts: Leaded Nickel Copper, Stainless Steel Hood
- Contact Plating: Gold: Mil-G-45204, Type II, Grade C, Class 1 over .0001 Nickel Base

Performance

- Operating Pressure: 10,000 psig, bi-directional
- Operating Temperature: 150°C @ 10,000 psig

Electrical

- Voltage Rating: 600 vdc
- Insulation Resistance: >10 gigohms @ 500vdc @ 200°C
- Dielectric Withstanding: 1,000 vdc



6 #20 awg Sockets
 4 #20 awg Pins

Description

This High Pressure/Temperature insert features a Toughened High Glass Thermoset Epoxy body which provides a bi-directional pressure barrier to 10kpsi @ 150°C.

Applications

- MWD/LWD Tools
- Battery Packages
- Downhole Electronic Enclosures
- High Pressure Wellhead Exits
- Geophone Arrays
- D.S.U.S.

TECHNICAL SPECIFICATIONS

Materials

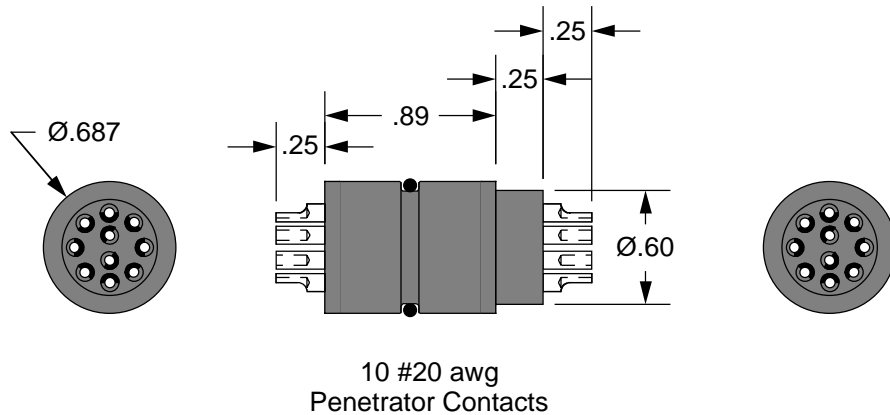
- O-rings: Viton - 90 Durometer
- Contacts: Leaded Nickel Copper, Stainless Steel Hood
- Contact Plating: Gold: Mil-G-45204, Type II, Grade C, Class 1 over .0001 Nickel Base

Performance

- Operating Pressure: 10,000 psig, bi-directional
- Operating Temperature: 150°C @ 10,000 psig

Electrical

- Voltage Rating: 600 vdc
- Insulation Resistance: >10 gigohms @ 500vdc @ 150°C
- Dielectric Withstanding: 1,000 vdc



Description

This High Pressure/Temperature insert features a Toughened High Glass Thermoset Epoxy body which provides a bi-directional pressure barrier to 20kpsi @ 200°C.

Applications

- MWD/LWD Tools
- Battery Packages
- Downhole Electronic Enclosures
- High Pressure Wellhead Exits
- Geophone Arrays
- D.S.U.S.

TECHNICAL SPECIFICATIONS

Materials

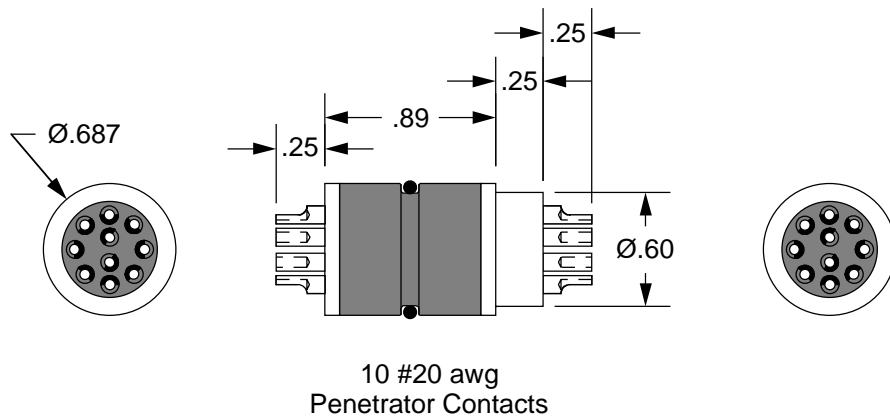
- Face Rings: AMPCO 45 - NiAlBr
- O-rings: Viton - 90 Durometer
- Contacts: Leaded Nickel Copper, Stainless Steel Hood
- Contact Plating: Gold: Mil-G-45204, Type II, Grade C, Class 1 over .0001 Nickel Base

Performance

- Operating Pressure: 20,000 psig, bi-directional
- Operating Temperature: 200°C @ 20,000 psig

Electrical

- Voltage Rating: 600 vdc
- Insulation Resistance: >10 gigohms @ 500vdc @ 200°C
- Dielectric Withstanding: 1,000 vdc



Description

This High Pressure/Temperature insert features a Toughened High Glass Thermoset Epoxy body which provides a bi-directional pressure barrier to 20kpsi @ 200°C.

Applications

- MWD/LWD Tools
- Battery Packages
- Downhole Electronic Enclosures
- High Pressure Wellhead Exits
- Geophone Arrays
- D.S.U.S.

TECHNICAL SPECIFICATIONS

Materials

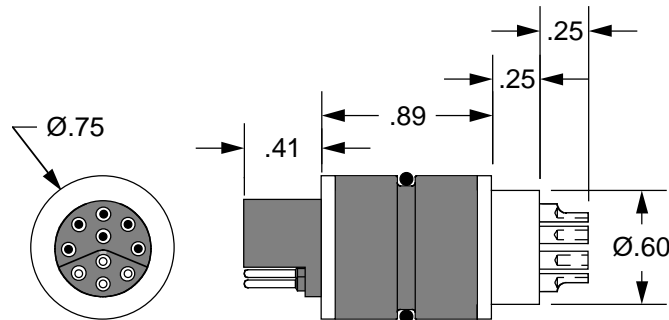
- Face Rings: AMPCO 45 - NiAlBr
- O-rings: Viton - 90 Durometer
- Contacts: Leaded Nickel Copper, Stainless Steel Hood
- Contact Plating: Gold: Mil-G-45204, Type II, Grade C, Class 1 over .0001 Nickel Base

Performance

- Operating Pressure: 20,000 psig, bi-directional
- Operating Temperature: 200°C @ 20,000 psig

Electrical

- Voltage Rating: 600 vdc
- Insulation Resistance: >10 gigohms @ 500vdc @ 200°C
- Dielectric Withstanding: 1,000 vdc



6 #20 awg Sockets
 4 #20 awg Pins

Description

This High Pressure/Temperature insert features a Toughened High Glass Thermoset Epoxy body which provides a bi-directional pressure barrier to 20kpsi @ 200°C.

Applications

- MWD/LWD Tools
- Battery Packages
- Downhole Electronic Enclosures
- High Pressure Wellhead Exits
- Geophone Arrays
- D.S.U.S.

TECHNICAL SPECIFICATIONS

Materials

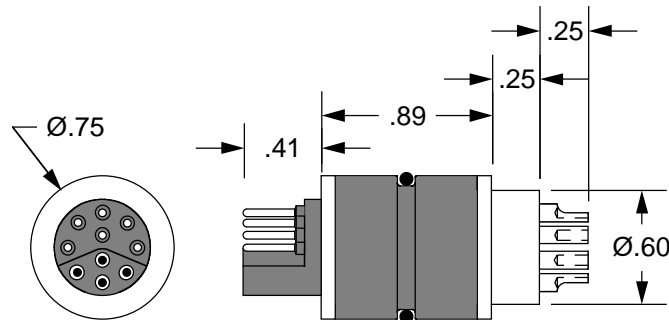
- Face Rings: AMPCO 45 - NiAlBr
- O-rings: Viton - 90 Durometer
- Contacts: Leaded Nickel Copper, Stainless Steel Hood
- Contact Plating: Gold: Mil-G-45204, Type II, Grade C, Class 1 over .0001 Nickel Base

Performance

- Operating Pressure: 20,000 psig, bi-directional
- Operating Temperature: 200°C @ 20,000 psig

Electrical

- Voltage Rating: 600 vdc
- Insulation Resistance: >10 gigohms @ 500vdc @ 200°C
- Dielectric Withstanding: 1,000 vdc



4 #20 awg Sockets
 6 #20 awg Pins