

## Rubber Molded Connectors (A-Series)

The A-Series is designed to provide a reliable yet economical subsea connector for use in a wide variety of applications. This series is available in four sizes and various configurations. Designed to be mated as an inline connector set or to the A-Series bulkheads. Contact roll reversal available in many interface configurations. Termination to cable is provided in two ways. Standard is the "Molded" version which is directly bonded to the cable. The "FA" field assembled version is terminated using a custom "Boot Seal" to match the customer specified cable. Applications for this series include subsea instrumentation, sonar arrays, DDC's, SAT systems, ROV's, towed arrays, and underwater lights.

### SPECIFICATIONS

**Materials:** Connector Body: Neoprene, (Viton® optional)  
Locking Sleeve: Delrin, (316ss, 360 Brass optional)

**Contact Size:** #20awg to #0awg (Depending on interface)  
**Contact Clocking:** Male: CCW, Female: CW (#1 pin at keyway)  
**Boot Seal:** Neoprene (Viton® optional)  
**Cable:** SOOW-A, SJOOW-A, (-FA cable customer specified)

**Pressure:** 0-20kpsi

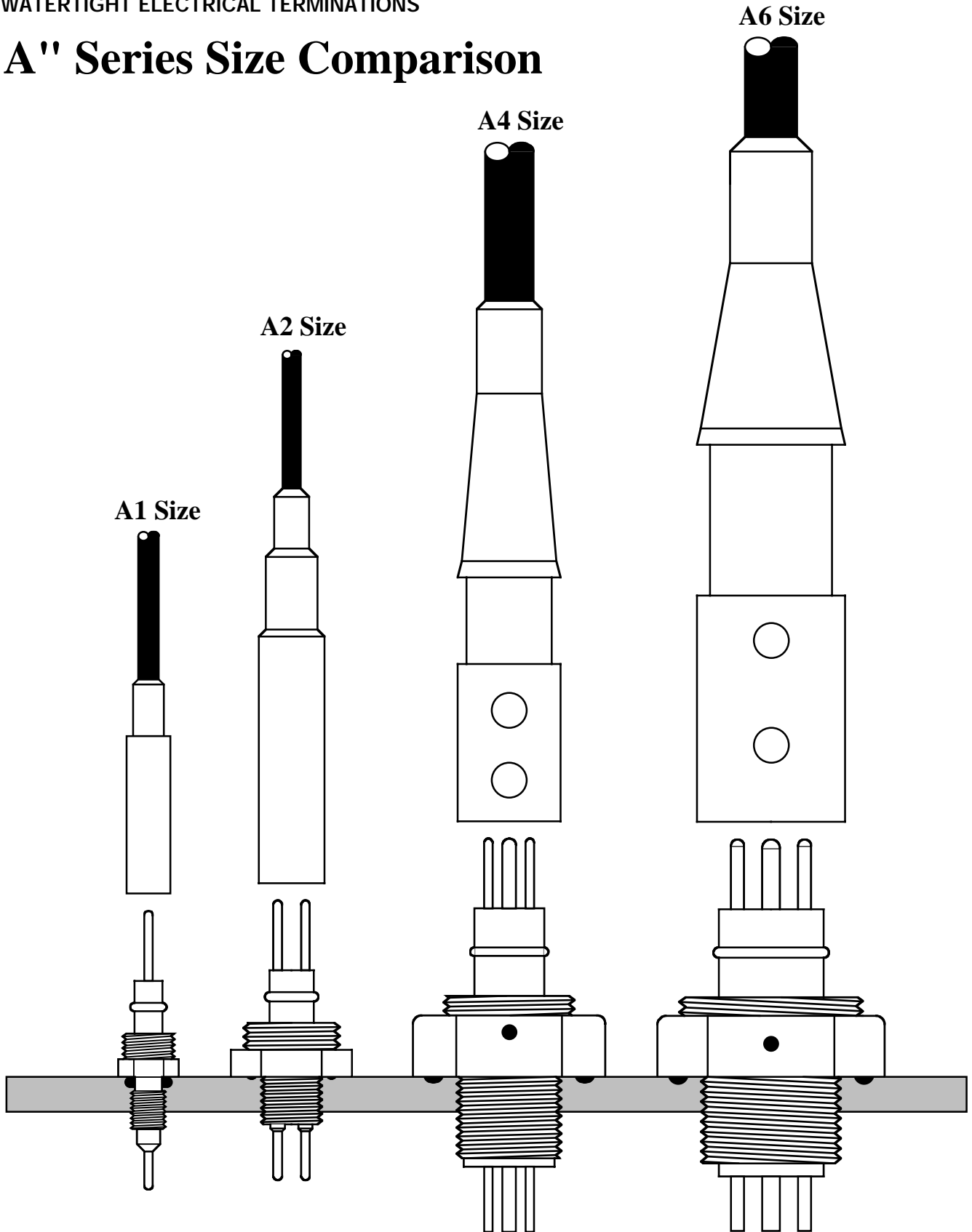
**Electrical:** DWV: 2.2kvdc to 12kvdc (Depending on interface)  
IR: 100 megohms minimum @ 500vdc



## "A" Series Rubber Molded Index

Description	Part Number	Page No.
A1MP Cable Assembly	1087	2-1
A1FS Cable Assembly	1086	2-2
A1MPD Female Dummy	1089	2-3
A1FSD Male Dummy	1088	2-4
A1MPF Fuse Assembly	1092	2-5
A2MP Cable Assembly	1091	2-6
A2FS Cable Assembly	1090	2-7
A2MPD Female Dummy	1094	2-8
A2FSD Male Dummy	1093	2-9
A2MPF Fuse Assembly	1095	2-10
A4MP Cable Assembly	1046	2-11
A4FS Cable Assembly	1043	2-12
A4FSR Right Angle Cable Assembly	1133	2-13
A4MS Cable Assembly	1097	2-14
A4FP Cable Assembly	1096	2-15
A4MPD Male Dummy	1099	2-16
A4FSD Female Dummy	1100	2-17
A4MSD Male Dummy (Sockets)	1101	2-18
A4FPD Female Dummy (Pins)	1100	2-19
A6MP Cable Assembly	1055	2-20
A6FS Cable Assembly	1050	2-21
A6MS Cable Assembly	1103	2-22
A6FP Cable Assembly	1102	2-23
A6MPD Male Dummy	1105	2-24
A6FSD Female Dummy	1104	2-25
A6MSD Male Dummy (Sockets)	1106	2-26
A6FPD Female Dummy (Pins)	1107	2-27
Locking Sleeves	n/a	2-28

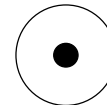
## "A" Series Size Comparison



**Description**

AIMP cable connectors are manufactured from WETechnologies exclusive Neoprene™ elastomer exhibiting an excellent combination of sunlight resistance, high electrical characteristics, and physical properties (cut and tear resistance, tensile strength and recovery (snap)). All connectors are electrically tested at 2500vdc (DWV) and 500vdc (IR) with a minimum passing value > 100 megohms. Hydrostatic testing to 20,000 psi available at customer request. Cable assemblies are available with or without Locking Sleeves.

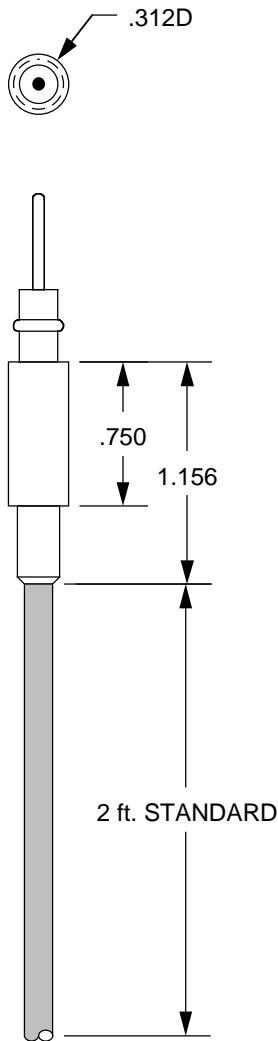
**Available Contact Interfaces**



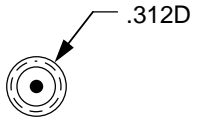
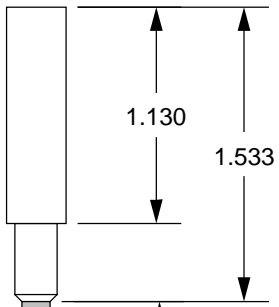
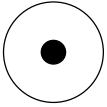
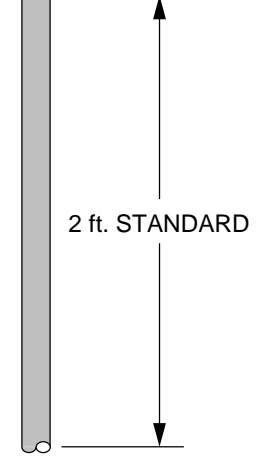
1 #16 awg  
-1

**Technical Data**

Contact Material:	360 Brass, Half Hard
Contact Plating: (Standard)	Gold: Mil-G-45204, Type II, Grade C, Class 1 over .0001 Nickel Base
Dielectric Material:	Neoprene™
Operating Pressure:	20,000 psig mated. Pressure testing performed as required by order.
Operating Temperature:	250°F, 121°C
Voltage Rating:	2,500vdc
Cable Type: (Standard)	1N2, 20awg Cadmium Bronze conductor Rubber Insulation, Neoprene Jacket, .147 Dia.
Cable Type: (Optional)	1N2T, 20awg Cadmium Bronze conductor Teflon Insulation, Neoprene Jacket, .147 Dia.
Mating Connector:	A1FS-1, A1FS-FA

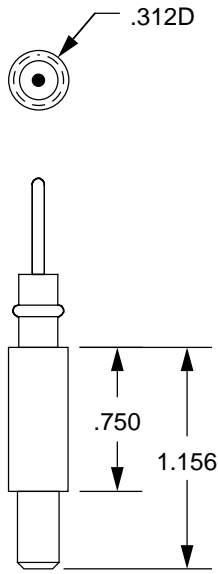


Scale = 1:1

	<h3 style="text-align: center;">Description</h3> <p>AIFS cable connectors are manufactured from WETechnologies exclusive Neoprene™ elastomer exhibiting an excellent combination of sunlight resistance, high electrical characteristics, and physical properties (cut and tear resistance, tensile strength and recovery (snap)). All connectors are electrically tested at 2500vdc (DWV) and 500vdc (IR) with a minimum passing value &gt; 100 megohms. Hydrostatic testing to 20,000 psi available at customer request. Cable assemblies are available with or without Locking Sleeves.</p>																		
	<h3 style="text-align: center;">Available Contact Interfaces</h3> <div style="text-align: center;">  <p>1 #16 awg -1</p> </div>																		
 <p>Scale = 1:1</p>	<h3 style="text-align: center;">Technical Data</h3> <table border="0"> <tr> <td>Contact Material:</td> <td>Leaded Nickel Copper</td> </tr> <tr> <td>Contact Plating: (Standard)</td> <td>Gold: Mil-G-45204, Type II, Grade C, Class 1 over .0001 Nickel Base</td> </tr> <tr> <td>Dielectric Material:</td> <td>Neoprene™</td> </tr> <tr> <td>Operating Pressure:</td> <td>20,000 psig mated. Pressure testing performed as required by order.</td> </tr> <tr> <td>Operating Temperature:</td> <td>250°F, 121°C</td> </tr> <tr> <td>Voltage Rating:</td> <td>2,500vdc</td> </tr> <tr> <td>Cable Type: (Standard)</td> <td>1N2, 20awg Cadmium Bronze conductor Rubber Insulation, Neoprene Jacket, .147 Dia.</td> </tr> <tr> <td>Cable Type: (Optional)</td> <td>1N2T, 20awg Cadmium Bronze conductor Teflon Insulation, Neoprene Jacket, .147 Dia.</td> </tr> <tr> <td>Mating Connector:</td> <td>A1MP-1, A1BPH-1, A1BPHS-1, A1BPHS-HV A1BPH-HV, A1BPHR-1, A1BPH-1NPT</td> </tr> </table>	Contact Material:	Leaded Nickel Copper	Contact Plating: (Standard)	Gold: Mil-G-45204, Type II, Grade C, Class 1 over .0001 Nickel Base	Dielectric Material:	Neoprene™	Operating Pressure:	20,000 psig mated. Pressure testing performed as required by order.	Operating Temperature:	250°F, 121°C	Voltage Rating:	2,500vdc	Cable Type: (Standard)	1N2, 20awg Cadmium Bronze conductor Rubber Insulation, Neoprene Jacket, .147 Dia.	Cable Type: (Optional)	1N2T, 20awg Cadmium Bronze conductor Teflon Insulation, Neoprene Jacket, .147 Dia.	Mating Connector:	A1MP-1, A1BPH-1, A1BPHS-1, A1BPHS-HV A1BPH-HV, A1BPHR-1, A1BPH-1NPT
Contact Material:	Leaded Nickel Copper																		
Contact Plating: (Standard)	Gold: Mil-G-45204, Type II, Grade C, Class 1 over .0001 Nickel Base																		
Dielectric Material:	Neoprene™																		
Operating Pressure:	20,000 psig mated. Pressure testing performed as required by order.																		
Operating Temperature:	250°F, 121°C																		
Voltage Rating:	2,500vdc																		
Cable Type: (Standard)	1N2, 20awg Cadmium Bronze conductor Rubber Insulation, Neoprene Jacket, .147 Dia.																		
Cable Type: (Optional)	1N2T, 20awg Cadmium Bronze conductor Teflon Insulation, Neoprene Jacket, .147 Dia.																		
Mating Connector:	A1MP-1, A1BPH-1, A1BPHS-1, A1BPHS-HV A1BPH-HV, A1BPHR-1, A1BPH-1NPT																		

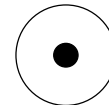
**Description**

A1MPD connector dummies are manufactured from WETechnologies exclusive Neoprene™ elastomer exhibiting an excellent combination of sunlight resistance, high electrical characteristics, and physical properties (cut and tear resistance, tensile strength and recovery (snap)). Dummies can be provided with or without contacts.



Scale = 1:1

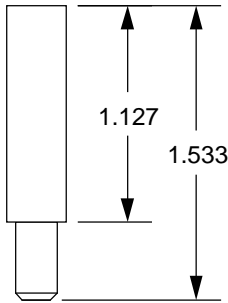
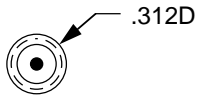
**Available Contact Interfaces**



1 #16 awg  
-1

**Technical Data**

Contact Material:	360 Brass, Half Hard
Contact Plating: (Standard)	Gold: Mil-G-45204, Type II, Grade C, Class 1 over .0001 Nickel Base
Dielectric Material:	Neoprene™
Operating Pressure:	20,000 psig mated. Pressure testing performed as required by order.
Operating Temperature:	250°F, 121°C
Cable Type: (Standard)	None
Mating Connector:	A1FS-1, A1FS-FA

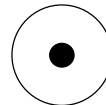


Scale = 1:1

**Description**

A1FSD connector dummies are manufactured from WETechnologies exclusive Neoprene™ elastomer exhibiting an excellent combination of sunlight resistance, high electrical characteristics, and physical properties (cut and tear resistance, tensile strength and recovery (snap)). Dummies can be provided with or without contacts.

**Available Contact Interfaces**



No Contact  
-1

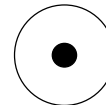
**Technical Data**

Dielectric Material:	Neoprene™
Operating Pressure:	20,000 psig mated. Pressure testing performed as required by order.
Operating Temperature:	250°F, 121°C
Cable Type: (Standard)	None
Mating Connector:	A1MP-1, A1BPH-1, A1BPH-1HV, A1BPHR-1, A1BPHS-1, A1BPHS-1HV, A1BPH-1-1/2NPT

**Description**

A1MPF inline fuses are manufactured from WETechnologies exclusive Neoprene™ elastomer exhibiting an excellent combination of sunlight resistance, high electrical characteristics, and physical properties (cut and tear resistance, tensile strength and recovery (snap)). These fuses mate with the A1FS connector at each end. Fuses are epoxy encapsulated then overmolded with Neoprene™ to withstand the extreme pressures found in a subsea environment. Hydrostatic testing to 20,000 psi available at customer request.

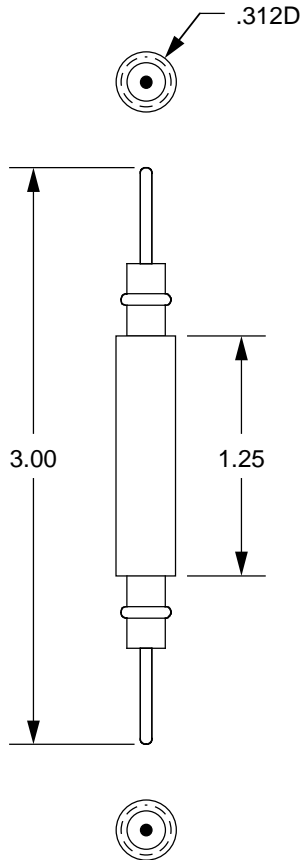
**Available Contact Interfaces**



1 #16 awg  
-1

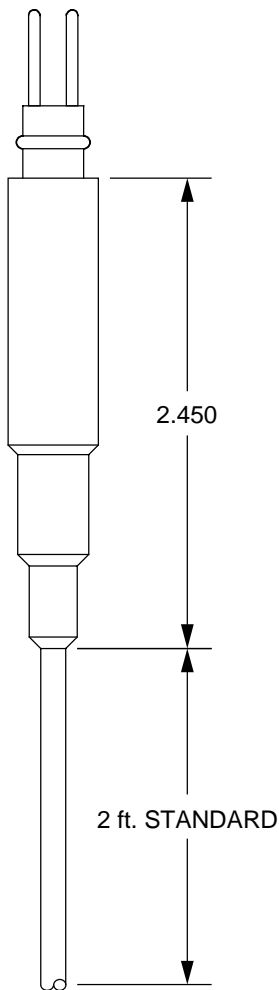
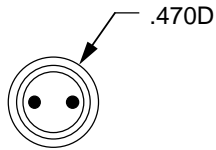
**Technical Data**

Contact Material:	360 Brass, Half Hard
Contact Plating: (Standard)	Gold: Mil-G-45204, Type II, Grade C, Class 1 over .0001 Nickel Base
Dielectric Material: (Standard)	Neoprene™
	(Optional) Viton, Nitrile, EPR
Operating Pressure:	20,000 psig mated. Pressure testing performed as required by order.
Operating Temperature:	250°F, 121°C
Voltage Rating:	125vac
Current Rating:	1/8 to 10 amps
Fuse Type:	High Reliability Picofuse
Mating Connector:	A1FS, A1FS-FA



Scale = 1:1

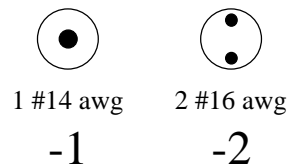




**Description**

A2MP cable connectors are manufactured from WETechnologies exclusive Neoprene™ elastomer exhibiting an excellent combination of sunlight resistance, high electrical characteristics, and physical properties (cut and tear resistance, tensile strength and recovery (snap)). All connectors are electrically tested at 2200vdc (DWV) and 500vdc (IR) with a minimum passing value > 100 megohms. Hydrostatic testing to 20,000 psi available at customer request. Cable assemblies are available with or without Locking Sleeves.

**Available Contact Interfaces**



1 #14 awg

-1

2 #16 awg

-2

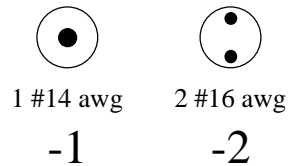
**Technical Data**

Contact Material:	360 Brass, Half Hard
Contact Plating: (Standard)	Gold: Mil-G-45204, Type II, Grade C, Class 1 over .0001 Nickel Base
Dielectric Material:	Neoprene™
Operating Pressure:	20,000 psig mated. Pressure testing performed as required by order.
Operating Temperature:	250°F, 121°C
Voltage Rating:	600vdc
Cable Type: (Standard)	
-1	14/1 SOOW-A
-2	18/2 SJOOW-A
Mating Connector:	A2FS-(X)

**Description**

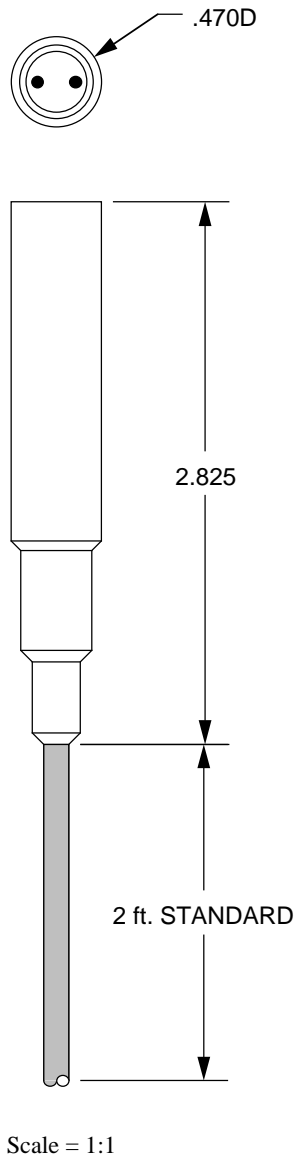
A2FS cable connectors are manufactured from WETechnologies exclusive Neoprene™ elastomer exhibiting an excellent combination of sunlight resistance, high electrical characteristics, and physical properties (cut and tear resistance, tensile strength and recovery (snap)). All connectors are electrically tested at 2200vdc (DWV) and 500vdc (IR) with a minimum passing value > 100 megohms. Hydrostatic testing to 20,000 psi available at customer request. Cable assemblies are available with or without Locking Sleeves.

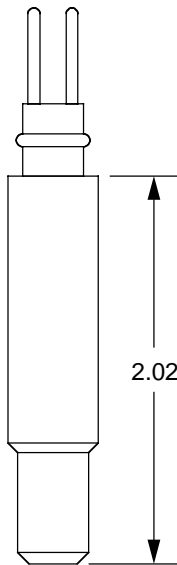
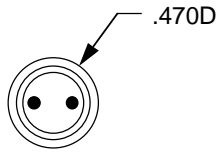
**Available Contact Interfaces**



**Technical Data**

Contact Material:	Leaded Nickel Copper
Contact Plating: (Standard)	Gold: Mil-G-45204, Type II, Grade C, Class 1 over .0001 Nickel Base
Dielectric Material:	Neoprene™
Operating Pressure:	20,000 psig mated. Pressure testing performed as required by order.
Operating Temperature:	250°F, 121°C
Voltage Rating:	600vdc
Cable Type: (Standard)	14/1 SOW-A
	-1      16/2 SOW-A
	-2
Mating Connector:	A2MP-(X) , A2BPH-(X), A2BPH-SB-(X)



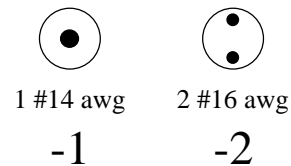


Scale = 1:1

**Description**

A2MPD connector dummies are manufactured from WETechnologies exclusive Neoprene™ elastomer exhibiting an excellent combination of sunlight resistance, high electrical characteristics, and physical properties (cut and tear resistance, tensile strength and recovery (snap)). Dummies can be provided with or without contacts.

**Available Contact Interfaces**



1 #14 awg

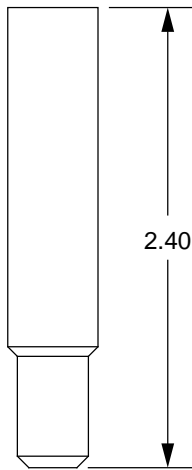
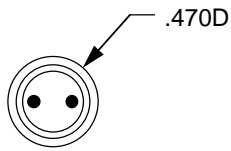
-1

2 #16 awg

-2

**Technical Data**

Contact Material:	360 Brass, Half Hard
Contact Plating: (Standard)	Gold: Mil-G-45204, Type II, Grade C, Class 1 over .0001 Nickel Base
Dielectric Material:	Neoprene™
Operating Pressure:	20,000 psig mated. Pressure testing performed as required by order.
Operating Temperature:	250°F, 121°C
Cable Type: (Standard)	None
Mating Connector:	A2FS-(X)

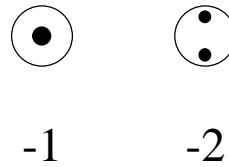


Scale = 1:1

**Description**

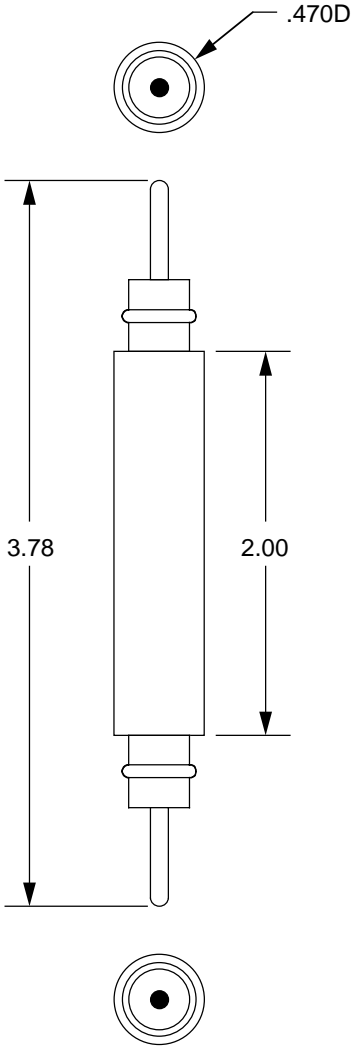
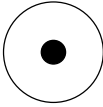
A2FSD connector dummies are manufactured from WETechnologies exclusive Neoprene™ elastomer exhibiting an excellent combination of sunlight resistance, high electrical characteristics, and physical properties (cut and tear resistance, tensile strength and recovery (snap)). Dummies can be provided with or without contacts.

**Available Contact Interfaces**



**Technical Data**

Contact Material	No Contacts
Dielectric Material:	Neoprene™
Operating Pressure:	20,000 psig mated. Pressure testing performed as required by order.
Operating Temperature:	250°F, 121°C
Cable Type: (Standard)	None
Mating Connector:	A2MP-(X), A2BPH-(X), A2BPH-SB-(X)

 <p style="text-align: center;">Scale = 1:1</p>	<h3 style="text-align: center;">Description</h3> <p>A2MPF inline fuses are manufactured from WETechnologies exclusive Neoprene™ elastomer exhibiting an excellent combination of sunlight resistance, high electrical characteristics, and physical properties (cut and tear resistance, tensile strength and recovery (snap)). These fuses mate with the A2FS-1 connector at each end. Fuses are epoxy encapsulated then overmolded with Neoprene™ to withstand the extreme pressures found in a subsea environment. Hydrostatic testing to 20,000 psi available at customer request.</p>																		
	<h3 style="text-align: center;">Available Contact Interfaces</h3> <div style="text-align: center;">  <p>1 #14awg -1</p> </div>																		
	<h3 style="text-align: center;">Technical Data</h3> <table border="0"> <tr> <td>Contact Material:</td> <td>360 Brass, Half Hard</td> </tr> <tr> <td>Contact Plating: (Standard)</td> <td>Gold: Mil-G-45204, Type II, Grade C, Class 1 over .0001 Nickel Base</td> </tr> <tr> <td>Dielectric Material: (Standard)</td> <td>Neoprene™</td> </tr> <tr> <td></td> <td>(Optional) Viton, Nitrile, EPR</td> </tr> <tr> <td>Operating Pressure:</td> <td>20,000 psig mated. Pressure testing performed as required by order.</td> </tr> <tr> <td>Operating Temperature:</td> <td>250°F, 121°C</td> </tr> <tr> <td>Voltage Rating:</td> <td>250vac</td> </tr> <tr> <td>Current Rating:</td> <td>1 to 30 amps</td> </tr> <tr> <td>Mating Connector:</td> <td>A2FS-1</td> </tr> </table>	Contact Material:	360 Brass, Half Hard	Contact Plating: (Standard)	Gold: Mil-G-45204, Type II, Grade C, Class 1 over .0001 Nickel Base	Dielectric Material: (Standard)	Neoprene™		(Optional) Viton, Nitrile, EPR	Operating Pressure:	20,000 psig mated. Pressure testing performed as required by order.	Operating Temperature:	250°F, 121°C	Voltage Rating:	250vac	Current Rating:	1 to 30 amps	Mating Connector:	A2FS-1
Contact Material:	360 Brass, Half Hard																		
Contact Plating: (Standard)	Gold: Mil-G-45204, Type II, Grade C, Class 1 over .0001 Nickel Base																		
Dielectric Material: (Standard)	Neoprene™																		
	(Optional) Viton, Nitrile, EPR																		
Operating Pressure:	20,000 psig mated. Pressure testing performed as required by order.																		
Operating Temperature:	250°F, 121°C																		
Voltage Rating:	250vac																		
Current Rating:	1 to 30 amps																		
Mating Connector:	A2FS-1																		

<p>.735D</p> <p>KEY INDEX</p> <p>3.05</p>	<h3>Description</h3> <p>A4MP cable connectors are manufactured from WETechnologies exclusive Neoprene™ elastomer exhibiting an excellent combination of sunlight resistance, high electrical characteristics, and physical properties (cut and tear resistance, tensile strength and recovery (snap)). All connectors are electrically tested at 2200vdc (DWV) and 500vdc (IR) with a minimum passing value &gt; 100 megohms. Hydrostatic testing to 20,000 psi available at customer request. Cable assemblies are available with or without Locking Sleeves.</p>																														
<p>2 ft. STANDARD</p> <p>Scale = 1:1</p>	<h3>Available Contact Interfaces</h3> <table border="0"> <tr> <td></td> <td></td> <td></td> <td></td> </tr> <tr> <td>1 #14 awg 1 #16 awg</td> <td>1 #14 awg 2 #16 awg</td> <td>1 #14 awg 3 #16 awg</td> <td>1 #14 awg 5 #16 awg</td> </tr> <tr> <td><b>-2</b></td> <td><b>-3</b></td> <td><b>-4</b></td> <td><b>-6</b></td> </tr> </table>					1 #14 awg 1 #16 awg	1 #14 awg 2 #16 awg	1 #14 awg 3 #16 awg	1 #14 awg 5 #16 awg	<b>-2</b>	<b>-3</b>	<b>-4</b>	<b>-6</b>																		
1 #14 awg 1 #16 awg	1 #14 awg 2 #16 awg	1 #14 awg 3 #16 awg	1 #14 awg 5 #16 awg																												
<b>-2</b>	<b>-3</b>	<b>-4</b>	<b>-6</b>																												
	<h3>Technical Data</h3> <table border="0"> <tr> <td>Contact Material:</td> <td>360 Brass, Half Hard</td> </tr> <tr> <td>Contact Plating: (Standard)</td> <td>Silver: Mil-S-365A, Type III, Grade A, .0005 Thick</td> </tr> <tr> <td>(Optional)</td> <td>Gold: Mil-G-45204, Type II, Grade C, Class 1 over .0001 Nickel Base</td> </tr> <tr> <td>Dielectric Material: (Standard)</td> <td>Neoprene™</td> </tr> <tr> <td>(Optional)</td> <td>Viton, Nitrile</td> </tr> <tr> <td>Operating Pressure:</td> <td>20,000 psig mated. Pressure testing performed as required by order.</td> </tr> <tr> <td>Operating Temperature:</td> <td>250°F, 121°C</td> </tr> <tr> <td>Voltage Rating:</td> <td>600vdc</td> </tr> <tr> <td>Pin Number Rotation</td> <td>#1 Contact at Key Index then CCW</td> </tr> <tr> <td>Cable Type: (Standard)</td> <td></td> </tr> <tr> <td>-2</td> <td>16/2 SOW-A</td> </tr> <tr> <td>-3</td> <td>16/3 SOW-A</td> </tr> <tr> <td>-4</td> <td>18/4 SJOW-A</td> </tr> <tr> <td>-6</td> <td>18/6 SJOW-A</td> </tr> <tr> <td>Mating Connector:</td> <td>A4FS-(X), A4FS-FA, A4FSR, A4FSR-FA</td> </tr> </table>	Contact Material:	360 Brass, Half Hard	Contact Plating: (Standard)	Silver: Mil-S-365A, Type III, Grade A, .0005 Thick	(Optional)	Gold: Mil-G-45204, Type II, Grade C, Class 1 over .0001 Nickel Base	Dielectric Material: (Standard)	Neoprene™	(Optional)	Viton, Nitrile	Operating Pressure:	20,000 psig mated. Pressure testing performed as required by order.	Operating Temperature:	250°F, 121°C	Voltage Rating:	600vdc	Pin Number Rotation	#1 Contact at Key Index then CCW	Cable Type: (Standard)		-2	16/2 SOW-A	-3	16/3 SOW-A	-4	18/4 SJOW-A	-6	18/6 SJOW-A	Mating Connector:	A4FS-(X), A4FS-FA, A4FSR, A4FSR-FA
Contact Material:	360 Brass, Half Hard																														
Contact Plating: (Standard)	Silver: Mil-S-365A, Type III, Grade A, .0005 Thick																														
(Optional)	Gold: Mil-G-45204, Type II, Grade C, Class 1 over .0001 Nickel Base																														
Dielectric Material: (Standard)	Neoprene™																														
(Optional)	Viton, Nitrile																														
Operating Pressure:	20,000 psig mated. Pressure testing performed as required by order.																														
Operating Temperature:	250°F, 121°C																														
Voltage Rating:	600vdc																														
Pin Number Rotation	#1 Contact at Key Index then CCW																														
Cable Type: (Standard)																															
-2	16/2 SOW-A																														
-3	16/3 SOW-A																														
-4	18/4 SJOW-A																														
-6	18/6 SJOW-A																														
Mating Connector:	A4FS-(X), A4FS-FA, A4FSR, A4FSR-FA																														

### Description

A4FS cable connectors are manufactured from WETechnologies exclusive Neoprene™ elastomer exhibiting an excellent combination of sunlight resistance, high electrical characteristics, and physical properties (cut and tear resistance, tensile strength and recovery (snap)). All connectors are electrically tested at 2200vdc (DWV) and 500vdc (IR) with a minimum passing value > 100 megohms. Hydrostatic testing to 20,000 psi available at customer request. Cable assemblies are available with or without Locking Sleeves.

### Available Contact Interfaces



1 #14 awg  
1 #16 awg

**-2**



1 #14 awg  
2 #16 awg

**-3**



1 #14 awg  
3 #16 awg

**-4**



1 #14 awg  
5 #16 awg

**-6**

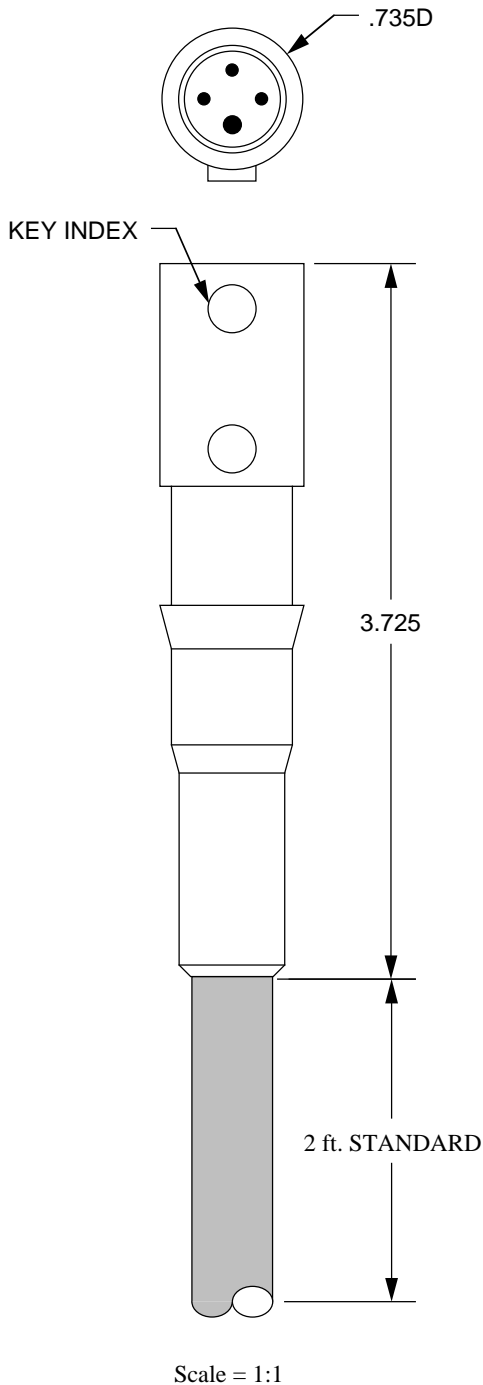


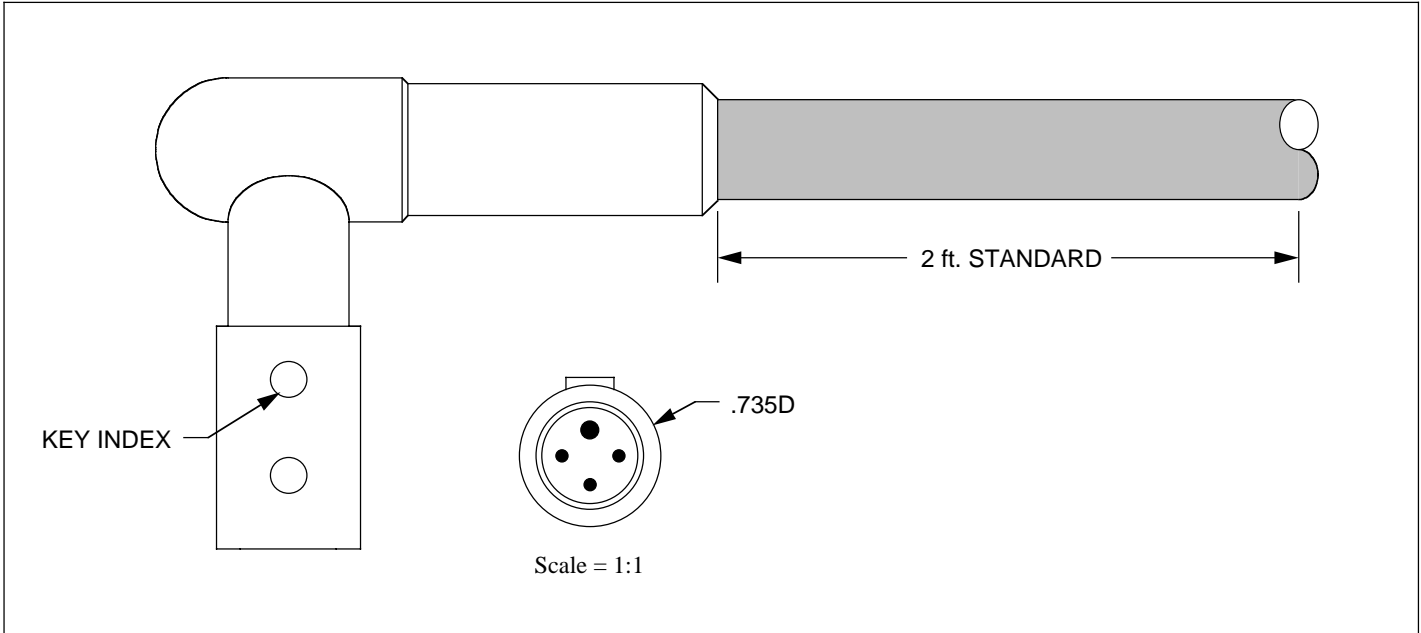
1 #14 awg  
6 #16 awg

**-7**

### Technical Data

Contact Material:	360 Brass, Half Hard
Contact Plating: (Standard)	Silver: Mil-S-365A, Type III, Grade A, .0005 Thick
(Optional)	Gold: Mil-G-45204, Type II, Grade C, Class 1 over .0001 Nickel Base
Dielectric Material: (Standard)	Neoprene™
(Optional)	Viton, Nitrile
Operating Pressure:	20,000 psig mated. Pressure testing performed as required by order.
Operating Temperature:	250°F, 121°C
Voltage Rating:	600vdc
Pin Number Rotation	#1 Contact at Key Index then CW
Cable Type: (Standard)	
-2	16/2 SOW-A
-3	16/3 SOW-A
-4	18/4 SJOW-A
-6	18/6 SJOW-A
-7	18/7 SJOW-A
Mating Connector:	A4MP-(X), A4BPH-(X)





### Description

A4FSR cable connectors are manufactured from WETechnologies™ exclusive Neoprene™ elastomer exhibiting an excellent combination of sunlight resistance, high electrical characteristics, and physical properties (cut and tear resistance, tensile strength and recovery (snap)). All connectors are electrically tested at 2200vdc (DWV) and 500vdc (IR) with a minimum passing value > 100 megohms. Hydrostatic testing to 20,000 psi available at customer request. Cable assemblies are available with or without Locking Sleeves.

### Technical Data

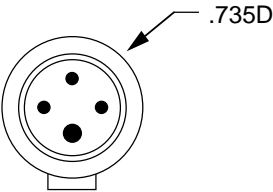
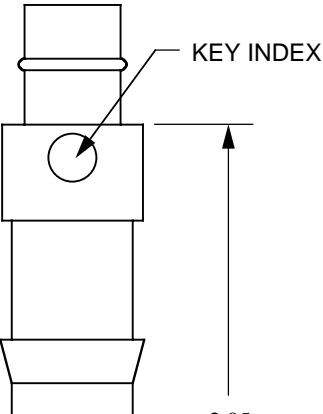

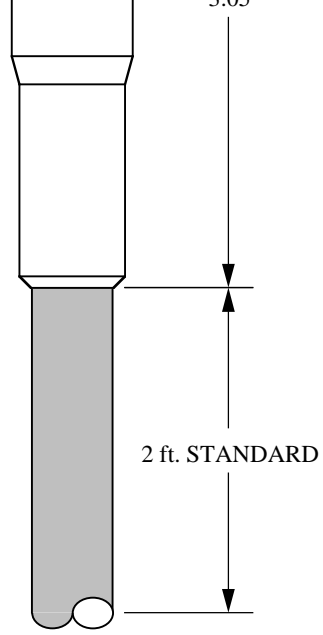
Contact Material:	360 Brass, Half Hard
Contact Plating: (Standard)	Silver: Mil-S-365A, Type III, Grade A, .0005 Thick
(Optional)	Gold: Mil-G-45204, Type II, Grade C, Class 1 over .0001 Nickel Base
Dielectric Material: (Standard)	Neoprene™
(Optional)	Viton, Nitrile
Operating Pressure:	20,000 psig mated. Pressure testing performed as required by order.
Operating Temperature:	250°F, 121°C
Voltage Rating:	600vdc
Contact Numbering:	#1 Contact at Key Index then CW
Cable Type: (Standard)	
-2	16/2 SOW-A
-3	16/3 SOW-A
-4	16/4 SOW-A
-6	18/6 SOW-A
Mating Connector:	A4MP-(X), A4BPH-(X), A4BPH-(X)SB, A4BPH-(X)NPT

### Available Contact Interfaces



1 #14 awg 1 #16 awg <b>-2</b>	1 #14 awg 2 #16 awg <b>-3</b>	1 #14 awg 3 #16 awg <b>-4</b>	1 #14 awg 5 #16 awg <b>-6</b>
-------------------------------------	-------------------------------------	-------------------------------------	-------------------------------------



 <p>.735D</p>	<h3>Description</h3> <p>A4MS cable connectors are manufactured from WETechnologies exclusive Neoprene™ elastomer exhibiting an excellent combination of sunlight resistance, high electrical characteristics, and physical properties (cut and tear resistance, tensile strength and recovery (snap)). All connectors are electrically tested at 2200vdc (DWV) and 500vdc (IR) with a minimum passing value &gt; 100 megohms. Hydrostatic testing to 20,000 psi available at customer request. Cable assemblies are available with or without Locking Sleeves.</p>																						
 <p>KEY INDEX</p> <p>3.05</p>	<h3>Available Contact Interfaces</h3>  <p>1 #14 awg 3 #16 awg <b>-4</b></p>																						
 <p>2 ft. STANDARD</p> <p>Scale = 1:1</p>	<h3>Technical Data</h3> <table border="0"> <tr> <td>Contact Material:</td> <td>360 Brass, Half Hard</td> </tr> <tr> <td>Contact Plating: (Standard)</td> <td>Silver: Mil-S-365A, Type III, Grade A, .0005 Thick</td> </tr> <tr> <td>(Optional)</td> <td>Gold: Mil-G-45204, Type II, Grade C, Class 1 over .0001 Nickel Base</td> </tr> <tr> <td>Dielectric Material: (Standard)</td> <td>Neoprene™</td> </tr> <tr> <td>(Optional)</td> <td>Viton, Nitrile</td> </tr> <tr> <td>Operating Pressure:</td> <td>20,000 psig mated. Pressure testing performed as required by order.</td> </tr> <tr> <td>Operating Temperature:</td> <td>250°F, 121°C</td> </tr> <tr> <td>Voltage Rating:</td> <td>600vdc</td> </tr> <tr> <td>Pin Number Rotation</td> <td>#1 Contact at Key Index then CCW</td> </tr> <tr> <td>Cable Type: (Standard)</td> <td>-4</td> </tr> <tr> <td>Mating Connector:</td> <td>18/4 SJOW-A A4FP-(X)</td> </tr> </table>	Contact Material:	360 Brass, Half Hard	Contact Plating: (Standard)	Silver: Mil-S-365A, Type III, Grade A, .0005 Thick	(Optional)	Gold: Mil-G-45204, Type II, Grade C, Class 1 over .0001 Nickel Base	Dielectric Material: (Standard)	Neoprene™	(Optional)	Viton, Nitrile	Operating Pressure:	20,000 psig mated. Pressure testing performed as required by order.	Operating Temperature:	250°F, 121°C	Voltage Rating:	600vdc	Pin Number Rotation	#1 Contact at Key Index then CCW	Cable Type: (Standard)	-4	Mating Connector:	18/4 SJOW-A A4FP-(X)
Contact Material:	360 Brass, Half Hard																						
Contact Plating: (Standard)	Silver: Mil-S-365A, Type III, Grade A, .0005 Thick																						
(Optional)	Gold: Mil-G-45204, Type II, Grade C, Class 1 over .0001 Nickel Base																						
Dielectric Material: (Standard)	Neoprene™																						
(Optional)	Viton, Nitrile																						
Operating Pressure:	20,000 psig mated. Pressure testing performed as required by order.																						
Operating Temperature:	250°F, 121°C																						
Voltage Rating:	600vdc																						
Pin Number Rotation	#1 Contact at Key Index then CCW																						
Cable Type: (Standard)	-4																						
Mating Connector:	18/4 SJOW-A A4FP-(X)																						

### Description

A4FP cable connectors are manufactured from WETechnologies exclusive Neoprene™ elastomer exhibiting an excellent combination of sunlight resistance, high electrical characteristics, and physical properties (cut and tear resistance, tensile strength and recovery (snap)). All connectors are electrically tested at 2200vdc (DWV) and 500vdc (IR) with a minimum passing value > 100 megohms. Hydrostatic testing to 20,000 psi available at customer request. Cable assemblies are available with or without Locking Sleeves.

### Available Contact Interfaces

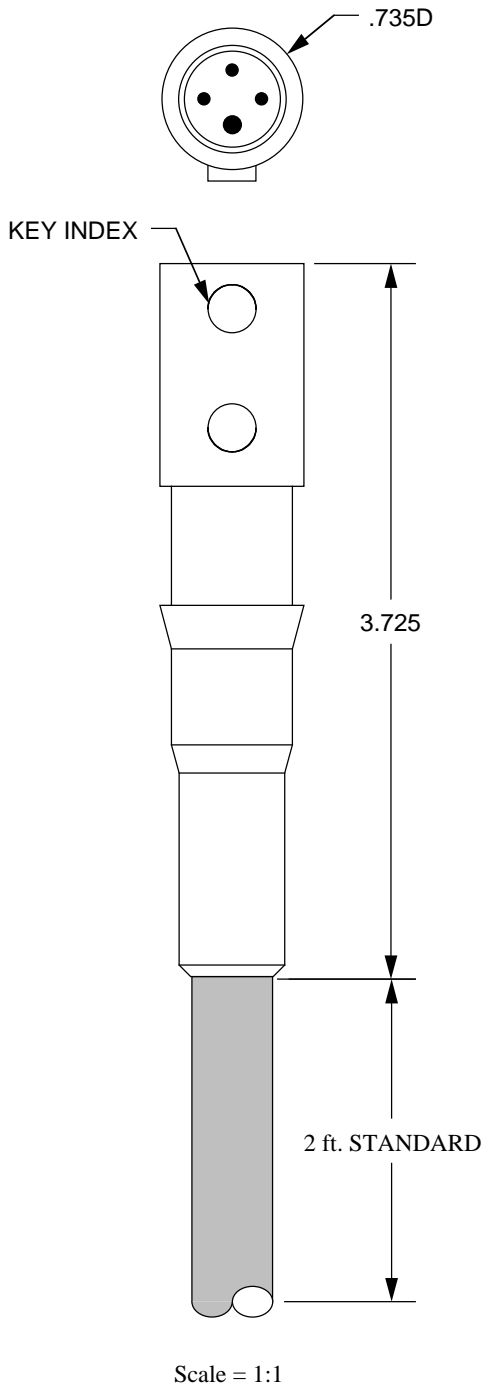


1 #14 awg  
3 #16 awg

**-4**

### Technical Data

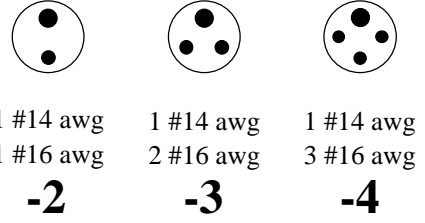
Contact Material:	360 Brass, Half Hard
Contact Plating: (Standard)	Silver: Mil-S-365A, Type III, Grade A, .0005 Thick
(Optional)	Gold: Mil-G-45204, Type II, Grade C, Class 1 over .0001 Nickel Base
Dielectric Material: (Standard)	Neoprene™
(Optional)	Viton, Nitrile
Operating Pressure:	20,000 psig mated. Pressure testing performed as required by order.
Operating Temperature:	250°F, 121°C
Voltage Rating:	600vdc
Pin Number Rotation	#1 Contact at Key Index then CW
Cable Type: (Standard)	-4
	18/4 SJOW-A
Mating Connector:	A4MS-(X), A4BSH-(X)



**Description**

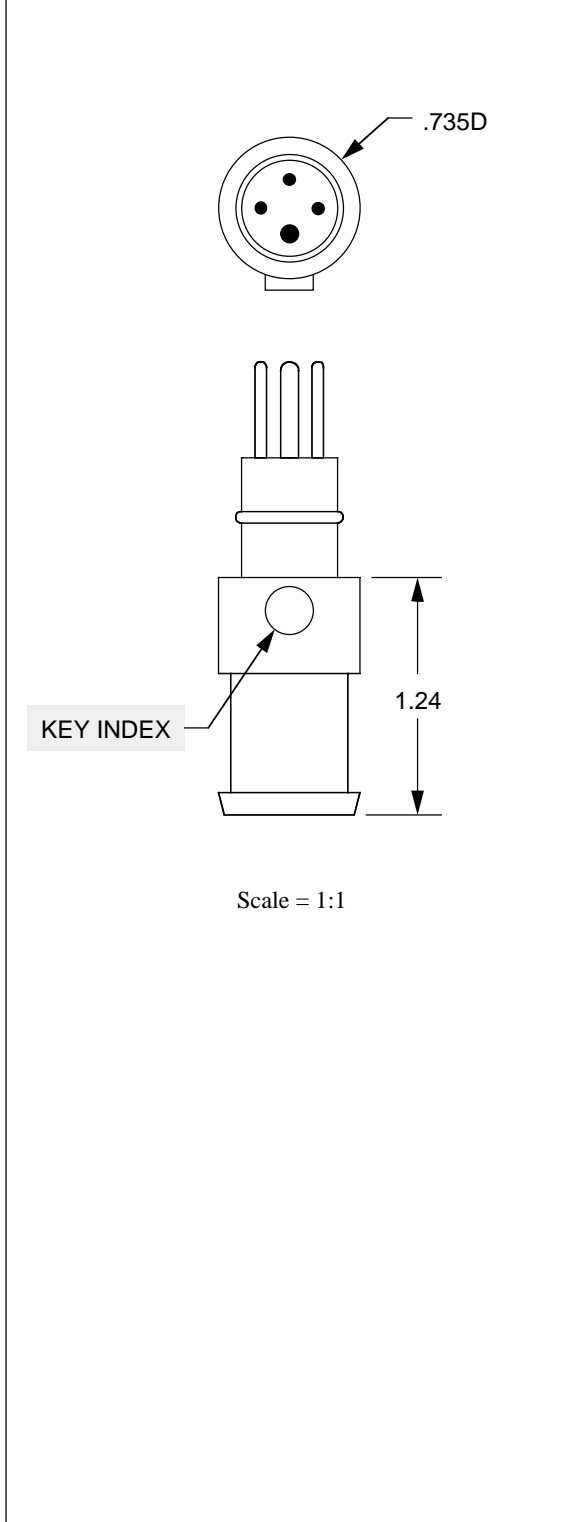
A4MPD connector dummies are manufactured from WETechnologies exclusive Neoprene™ elastomer exhibiting an excellent combination of sunlight resistance, high electrical characteristics, and physical properties (cut and tear resistance, tensile strength and recovery (snap)). Dummies can be provided with or without contacts.

**Available Contact Interfaces**



**Technical Data**

Contact Material:	360 Brass, Half Hard
Contact Plating: (Standard)	Silver: Mil-S-365A, Type III, Grade A, .0005 Thick
(Optional)	Gold: Mil-G-45204, Type II, Grade C, Class 1 over .0001 Nickel Base
Dielectric Material:	Neoprene™
Operating Pressure:	20,000 psig mated. Pressure testing performed as required by order.
Operating Temperature:	250°F, 121°C
Cable Type: (Standard)	None
Mating Connector:	A4FS-(X)



### Description

A4FSD connector dummies are manufactured from WETechnologies exclusive Neoprene™ elastomer exhibiting an excellent combination of sunlight resistance, high electrical characteristics, and physical properties (cut and tear resistance, tensile strength and recovery (snap)). Dummies can be provided with or without contacts.

### Available Contact Interfaces



1 #14 awg  
1 #16 awg

**-2**



1 #14 awg  
2 #16 awg

**-3**



1 #14 awg  
3 #16 awg

**-4**



1 #14 awg  
5 #16 awg

**-6**

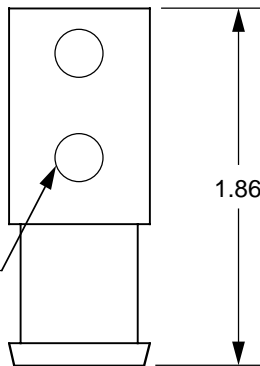
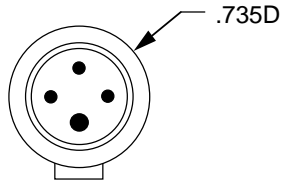


1 #14 awg  
6 #16 awg

**-7**

### Technical Data

Contact Material:	360 Brass, Half Hard
Contact Plating: (Standard)	Silver: Mil-S-365A, Type III, Grade A, .0005 Thick
(Optional)	Gold: Mil-G-45204, Type II, Grade C, Class 1 over .0001 Nickel Base
Dielectric Material:	Neoprene™
Operating Pressure:	20,000 psig mated. Pressure testing performed as required by order.
Operating Temperature:	250°F, 121°C
Cable Type: (Standard)	None
Mating Connector:	A4MP-(X), A4BPH-(X)



Scale = 1:1

**Description**

A4MSD connector dummies are manufactured from WETechnologies exclusive Neoprene™ elastomer exhibiting an excellent combination of sunlight resistance, high electrical characteristics, and physical properties (cut and tear resistance, tensile strength and recovery (snap)). Dummies can be provided with or without contacts.

**Available Contact Interfaces**

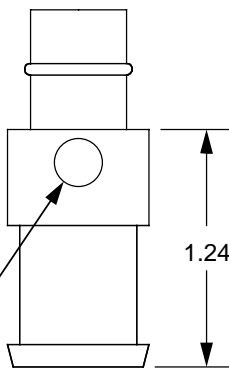
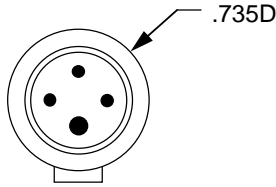


1 #14 awg  
3 #16 awg

**-4**

**Technical Data**

Contact Material:	360 Brass, Half Hard
Contact Plating: (Standard)	Silver: Mil-S-365A, Type III, Grade A, .0005 Thick
(Optional)	Gold: Mil-G-45204, Type II, Grade C, Class 1 over .0001 Nickel Base
Dielectric Material:	Neoprene™
Operating Pressure:	20,000 psig mated. Pressure testing performed as required by order.
Operating Temperature:	250°F, 121°C
Cable Type: (Standard)	None
Mating Connector:	A4FP-(X)



Scale = 1:1

**Description**

A4FPD connector dummies are manufactured from WETechnologies exclusive Neoprene™ elastomer exhibiting an excellent combination of sunlight resistance, high electrical characteristics, and physical properties (cut and tear resistance, tensile strength and recovery (snap)). Dummies can be provided with or without contacts.

**Available Contact Interfaces**

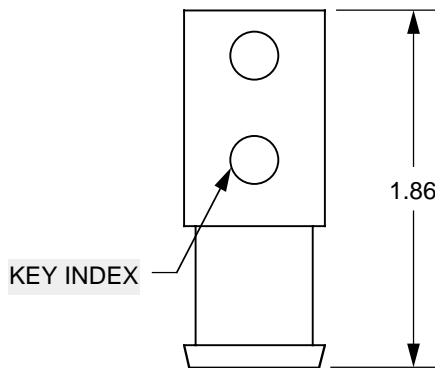
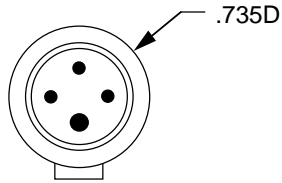


1 #14 awg  
3 #16 awg

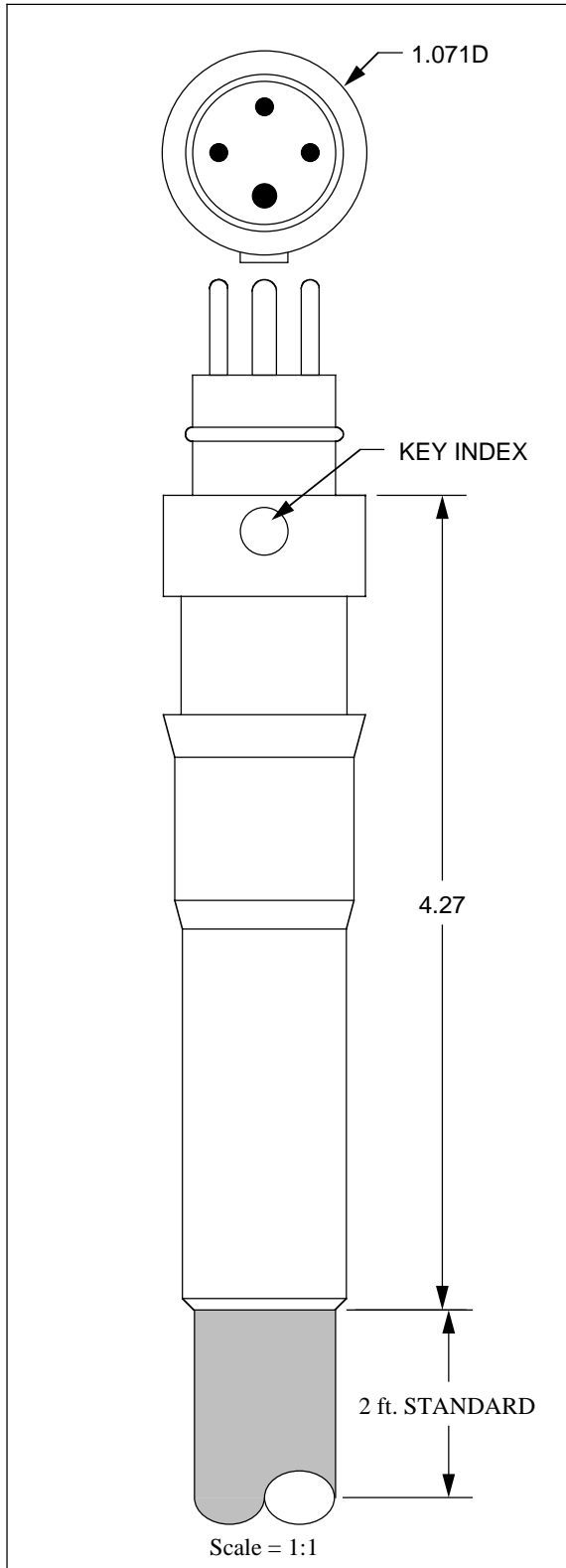
**-4**

**Technical Data**

Contact Material:	360 Brass, Half Hard
Contact Plating: (Standard)	Silver: Mil-S-365A, Type III, Grade A, .0005 Thick
(Optional)	Gold: Mil-G-45204, Type II, Grade C, Class 1 over .0001 Nickel Base
Dielectric Material:	Neoprene™
Operating Pressure:	20,000 psig mated. Pressure testing performed as required by order.
Operating Temperature:	250°F, 121°C
Cable Type: (Standard)	None
Mating Connector:	A4MS-(X), A4BSH-(X)



Scale = 1:1



### Description

A6MP cable connectors are manufactured from WETechnologies exclusive Neoprene™ elastomer exhibiting an excellent combination of sunlight resistance, high electrical characteristics, and physical properties (cut and tear resistance, tensile strength and recovery (snap)). All connectors are electrically tested at 2200vdc (DWV) and 500vdc (IR) with a minimum passing value > 100 megohms. Hydrostatic testing to 20,000 psi available at customer request. Cable assemblies are available with or without Locking Sleeves.

### Available Contact Interfaces



1 #10 awg	1 #10 awg	1 #14 awg	1 #14 awg	1 #14 awg
1 #14 awg	3 #14 awg	4 #16 awg	5 #16 awg	9 #16 awg
<b>-2</b>	<b>-4</b>	<b>-5UM</b>	<b>-6</b>	<b>-10</b>

### Technical Data

Contact Material:	360 Brass, Half Hard
Contact Plating: (Standard)	Silver: Mil-S-365A, Type III, Grade A, .0005 Thick
(Optional)	Gold: Mil-G-45204, Type II, Grade C, Class 1 over .0001 Nickel Base
Dielectric Material: (Standard)	Neoprene™
(Optional)	Viton, Nitrile
Operating Pressure:	20,000 psig mated. Pressure testing performed as required by order.
Operating Temperature:	250°F, 121°C
Voltage Rating:	600vdc
Pin Number Rotation	#1 Pin at Key Index then CCW
Cable Type: (Standard)	
-2	14/2 SOOW-A
-4	14/4 SOOW-A
-5UM	16/5 SOOW-A
-6	16/6 SOOW-A
-10	18/10 SOOW-A
Mating Connector:	A6FS, A6FSR, A6FS-FA

### Description

A6FS cable connectors are manufactured from WETechnologies exclusive Neoprene™ elastomer exhibiting an excellent combination of sunlight resistance, high electrical characteristics, and physical properties (cut and tear resistance, tensile strength and recovery (snap)). All connectors are electrically tested at 2200vdc (DWV) and 500vdc (IR) with a minimum passing value > 100 megohms. Hydrostatic testing to 20,000 psi available at customer request. Cable assemblies are available with or without Locking Sleeves.

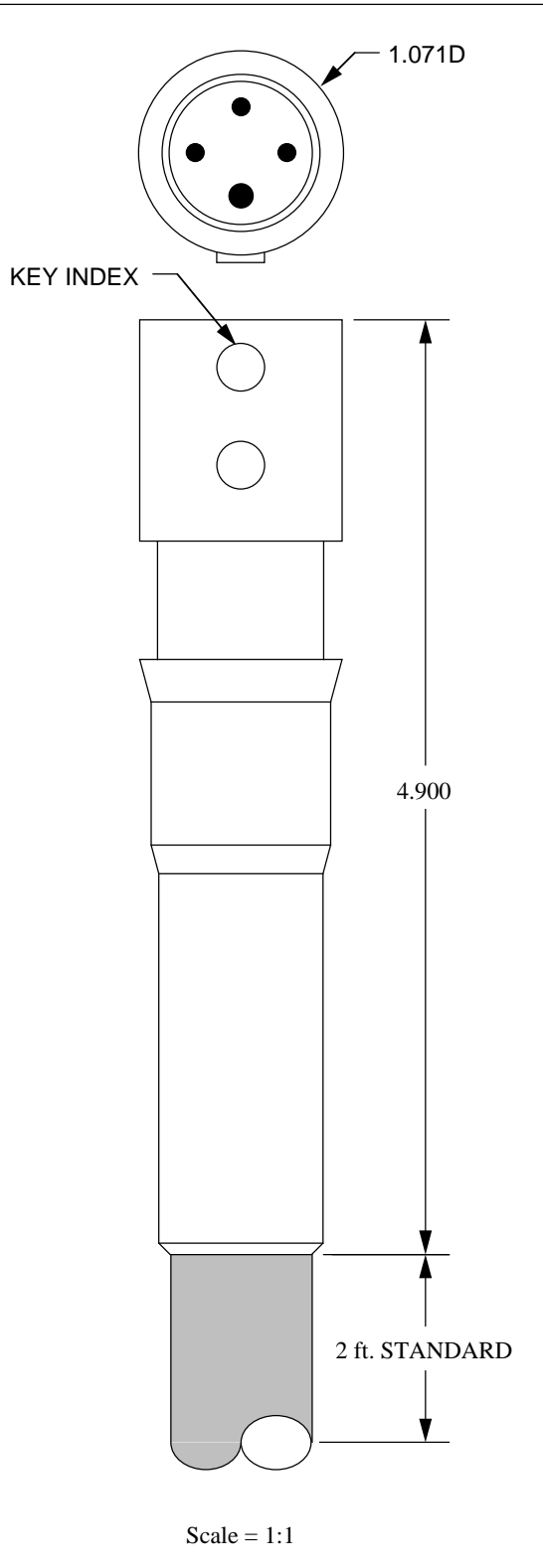
### Available Contact Interfaces



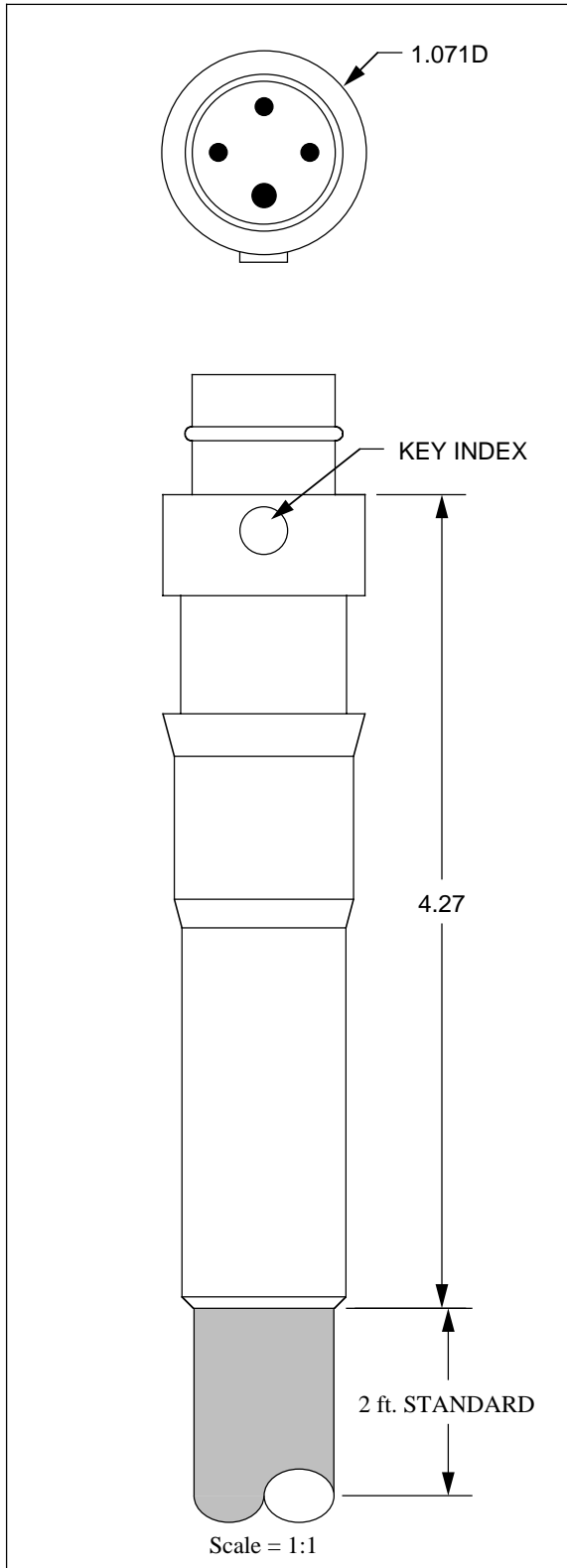
1 #10 awg 1 #14 awg <b>-2</b>	1 #10 awg 3 #14 awg <b>-4</b>	1 #10 awg 4 #14 awg <b>-5</b>	1 #14 awg 4 #16 awg <b>-5UM</b>	1 #14 awg 5 #16 awg <b>-6</b>	1 #14 awg 9 #16 awg <b>-10</b>
-------------------------------------	-------------------------------------	-------------------------------------	---------------------------------------	-------------------------------------	--------------------------------------

### Technical Data

Contact Material:	360 Brass, Half Hard
Contact Plating: (Standard)	Silver: Mil-S-365A, Type III, Grade A, .0005 Thick
(Optional)	Gold: Mil-G-45204, Type II, Grade C, Class 1 over .0001 Nickel Base
Dielectric Material: (Standard)	Neoprene™
(Optional)	Viton, Nitrile
Operating Pressure:	20,000 psig mated. Pressure testing performed as required by order.
Operating Temperature:	250°F, 121°C
Voltage Rating:	600vdc
Pin Number Rotation	#1 Contact at Key Index then CW
Cable Type: (Standard)	
-2	14/2 SOOW-A
-4	14/4 SOOW-A
-5	14/5 SOOW-A
-5UM	16/5 SOOW-A
-6	16/6 SOOW-A
-10	18/10 SOOW-A
Mating Connector:	A6MP



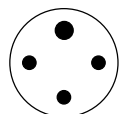




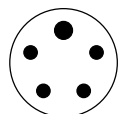
### Description

A6MS cable connectors are manufactured from WETechnologies exclusive Neoprene™ elastomer exhibiting an excellent combination of sunlight resistance, high electrical characteristics, and physical properties (cut and tear resistance, tensile strength and recovery (snap)). All connectors are electrically tested at 2200vdc (DWV) and 500vdc (IR) with a minimum passing value > 100 megohms. Hydrostatic testing to 20,000 psi available at customer request. Cable assemblies are available with or without Locking Sleeves.

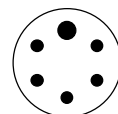
### Available Contact Interfaces



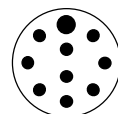
1 #14 awg  
3 #16 awg  
**-4**



1 #14 awg  
4 #16 awg  
**-5UM**



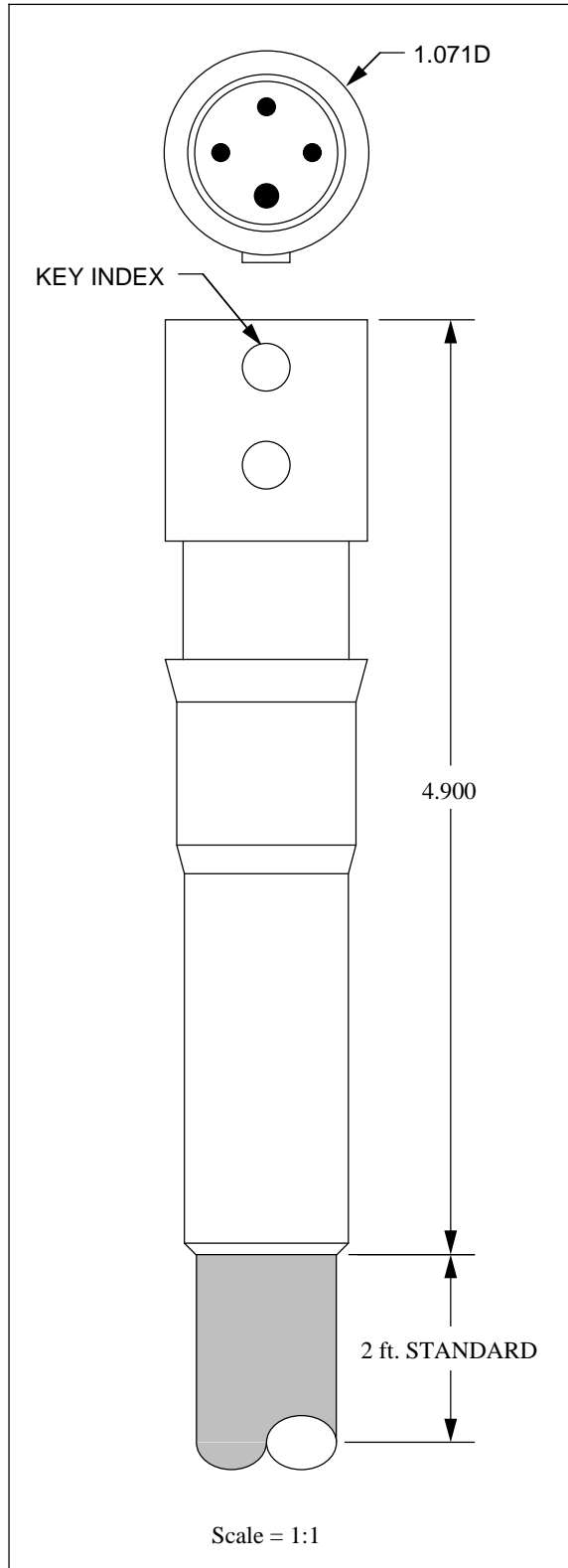
1 #14 awg  
5 #16 awg  
**-6**



1 #14 awg  
9 #16 awg  
**-10UM**

### Technical Data

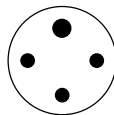
Contact Material:	360 Brass, Half Hard
Contact Plating: (Standard)	Silver: Mil-S-365A, Type III, Grade A, .0005 Thick
(Optional)	Gold: Mil-G-45204, Type II, Grade C, Class 1 over .0001 Nickel Base
Dielectric Material: (Standard)	Neoprene™
(Optional)	Viton, Nitrile
Operating Pressure:	20,000 psig mated. Pressure testing performed as required by order.
Operating Temperature:	250°F, 121°C
Voltage Rating:	600vdc
Pin Number Rotation	#1 Pin at Key Index then CCW
Cable Type: (Standard)	
-4	16/4 SOW-A
-5UM	16/5 SOW-A
-6	16/6 SOW-A
-10	16/10 SOW-A
Mating Connector:	A6FP-(X)



### Description

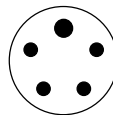
A6FP cable connectors are manufactured from WETechnologies exclusive Neoprene™ elastomer exhibiting an excellent combination of sunlight resistance, high electrical characteristics, and physical properties (cut and tear resistance, tensile strength and recovery (snap)). All connectors are electrically tested at 2200vdc (DWV) and 500vdc (IR) with a minimum passing value > 100 megohms. Hydrostatic testing to 20,000 psi available at customer request. Cable assemblies are available with or without Locking Sleeves.

### Available Contact Interfaces



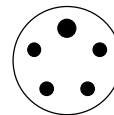
1 #14 awg  
3 #16 awg

**-4**



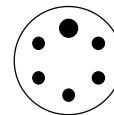
1 #14 awg  
4 #16 awg

**-5**



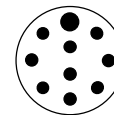
1 #14 awg  
4 #16 awg

**-5UM**



1 #14 awg  
5 #16 awg

**-6**

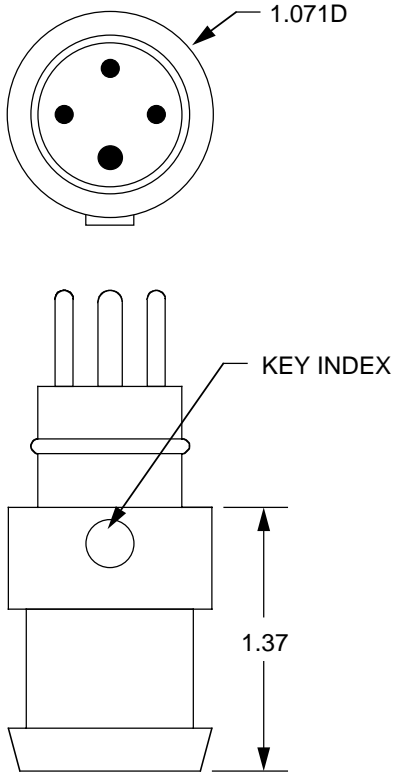


1 #14 awg  
9 #16 awg

**-10UM**

### Technical Data

Contact Material:	360 Brass, Half Hard
Contact Plating: (Standard)	Silver: Mil-S-365A, Type III, Grade A, .0005 Thick
(Optional)	Gold: Mil-G-45204, Type II, Grade C, Class 1 over .0001 Nickel Base
Dielectric Material: (Standard)	Neoprene™
(Optional)	Viton, Nitrile
Operating Pressure:	20,000 psig mated.
	Pressure testing performed as required by order.
Operating Temperature:	250°F, 121°C
Voltage Rating:	600vdc
Pin Number Rotation	#1 Contact at Key Index then CW
Cable Type: (Standard)	
-4	16/4 SOW-A
-5	16/5 SOW-A
-5UM	16/5SOW-A
-6	16/6 SOW-A
-10UM	18/10 SOW-A
Mating Connector:	A6MS-(X)

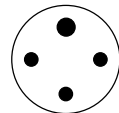


Scale = 1:1

### Description

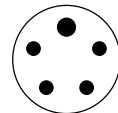
A6MPD connector dummies are manufactured from WETechnologies exclusive Neoprene™ elastomer exhibiting an excellent combination of sunlight resistance, high electrical characteristics, and physical properties (cut and tear resistance, tensile strength and recovery (snap)). Dummies can be provided with or without contacts.

### Available Contact Interfaces



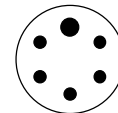
1 #14 awg  
3 #16 awg

**-4**



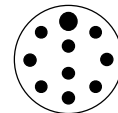
1 #14 awg  
4 #16 awg

**-5UM**



1 #14 awg  
5 #16 awg

**-6**

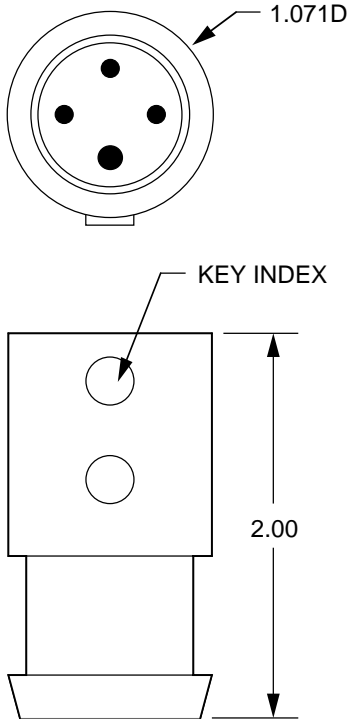


1 #14 awg  
9 #16 awg

**-10UM**

### Technical Data

Contact Material:	360 Brass, Half Hard
Contact Plating: (Standard)	Silver: Mil-S-365A, Type III, Grade A, .0005 Thick
(Optional)	Gold: Mil-G-45204, Type II, Grade C, Class 1 over .0001 Nickel Base
Dielectric Material: (Standard)	Neoprene™
(Optional)	Viton, Nitrile
Operating Pressure:	20,000 psig mated. Pressure testing performed as required by order.
Operating Temperature:	250°F, 121°C
Cable Type: (Standard)	None
Mating Connector:	A6FS-(X)

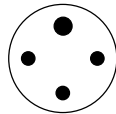


Scale = 1:1

### Description

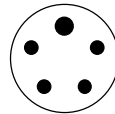
A6FSD connector dummies are manufactured from WETechnologies exclusive Neoprene™ elastomer exhibiting an excellent combination of sunlight resistance, high electrical characteristics, and physical properties (cut and tear resistance, tensile strength and recovery (snap)). Dummies can be provided with or without contacts.

### Available Contact Interfaces



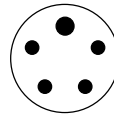
1 #14 awg  
3 #16 awg

**-4**



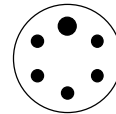
1 #14 awg  
4 #16 awg

**-5**



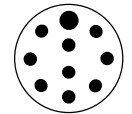
1 #14 awg  
4 #16 awg

**-5UM**



1 #14 awg  
5 #16 awg

**-6**

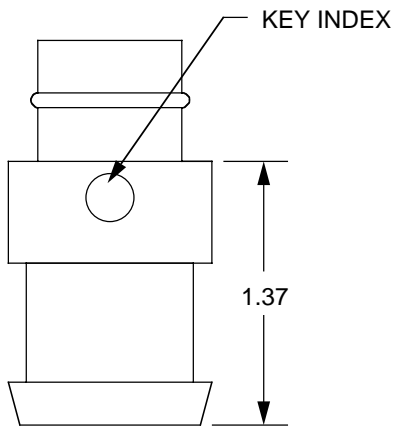
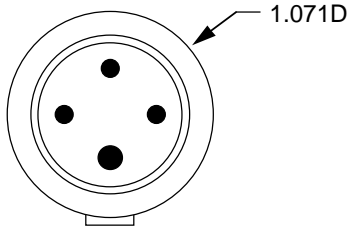


1 #14 awg  
9 #16 awg

**-10UM**

### Technical Data

Contact Material:	360 Brass, Half Hard
Contact Plating: (Standard)	Silver: Mil-S-365A, Type III, Grade A, .0005 Thick
(Optional)	Gold: Mil-G-45204, Type II, Grade C, Class 1 over .0001 Nickel Base
Dielectric Material: (Standard)	Neoprene™
(Optional)	Viton, Nitrile
Operating Pressure:	20,000 psig mated. Pressure testing performed as required by order.
Operating Temperature:	250°F, 121°C
Voltage Rating:	600vdc
Cable Type: (Standard)	None
Mating Connectors:	A6MP-(X), A6BPH-(X)

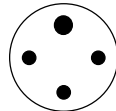


Scale = 1:1

### Description

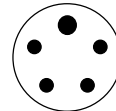
A6MSD connector dummies are manufactured from WETechnologies exclusive Neoprene™ elastomer exhibiting an excellent combination of sunlight resistance, high electrical characteristics, and physical properties (cut and tear resistance, tensile strength and recovery (snap)). Dummies can be provided with or without contacts.

### Available Contact Interfaces



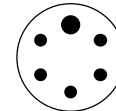
1 #14 awg  
3 #16 awg

**-4**



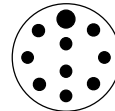
1 #14 awg  
4 #16 awg

**-5UM**



1 #14 awg  
5 #16 awg

**-6**

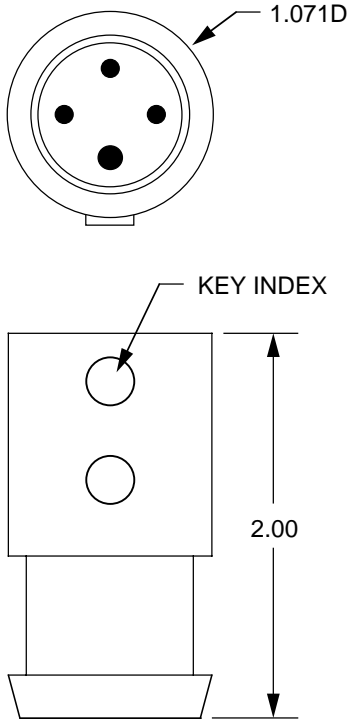


1 #14 awg  
9 #16 awg

**-10UM**

### Technical Data

Contact Material:	360 Brass, Half Hard
Contact Plating: (Standard)	Silver: Mil-S-365A, Type III, Grade A, .0005 Thick
(Optional)	Gold: Mil-G-45204, Type II, Grade C, Class 1 over .0001 Nickel Base
Dielectric Material: (Standard)	Neoprene™
(Optional)	Viton, Nitrile
Operating Pressure:	20,000 psig mated. Pressure testing performed as required by order.
Operating Temperature:	250°F, 121°C
Cable Type: (Standard)	None
Mating Connector:	A6FP-(X)

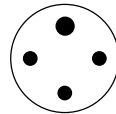


Scale = 1:1

### Description

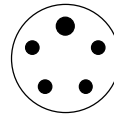
A6FPD connector dummies are manufactured from WETechnologies exclusive Neoprene™ elastomer exhibiting an excellent combination of sunlight resistance, high electrical characteristics, and physical properties (cut and tear resistance, tensile strength and recovery (snap)). Dummies can be provided with or without contacts.

### Available Contact Interfaces



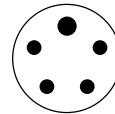
1 #14 awg  
3 #16 awg

**-4**



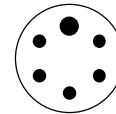
1 #14 awg  
4 #16 awg

**-5**



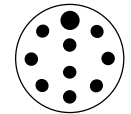
1 #14 awg  
4 #16 awg

**-5UM**



1 #14 awg  
5 #16 awg

**-6**



1 #14 awg  
9 #16 awg

**-10UM**

### Technical Data

Contact Material:	360 Brass, Half Hard
Contact Plating: (Standard)	Silver: Mil-S-365A, Type III, Grade A, .0005 Thick
(Optional)	Gold: Mil-G-45204, Type II, Grade C, Class 1 over .0001 Nickel Base
Dielectric Material: (Standard)	Neoprene™
(Optional)	Viton, Nitrile
Operating Pressure:	20,000 psig mated. Pressure testing performed as required by order.
Operating Temperature:	250°F, 121°C
Cable Type: (Standard)	None
Mating Connectors:	A6MS-(X)

