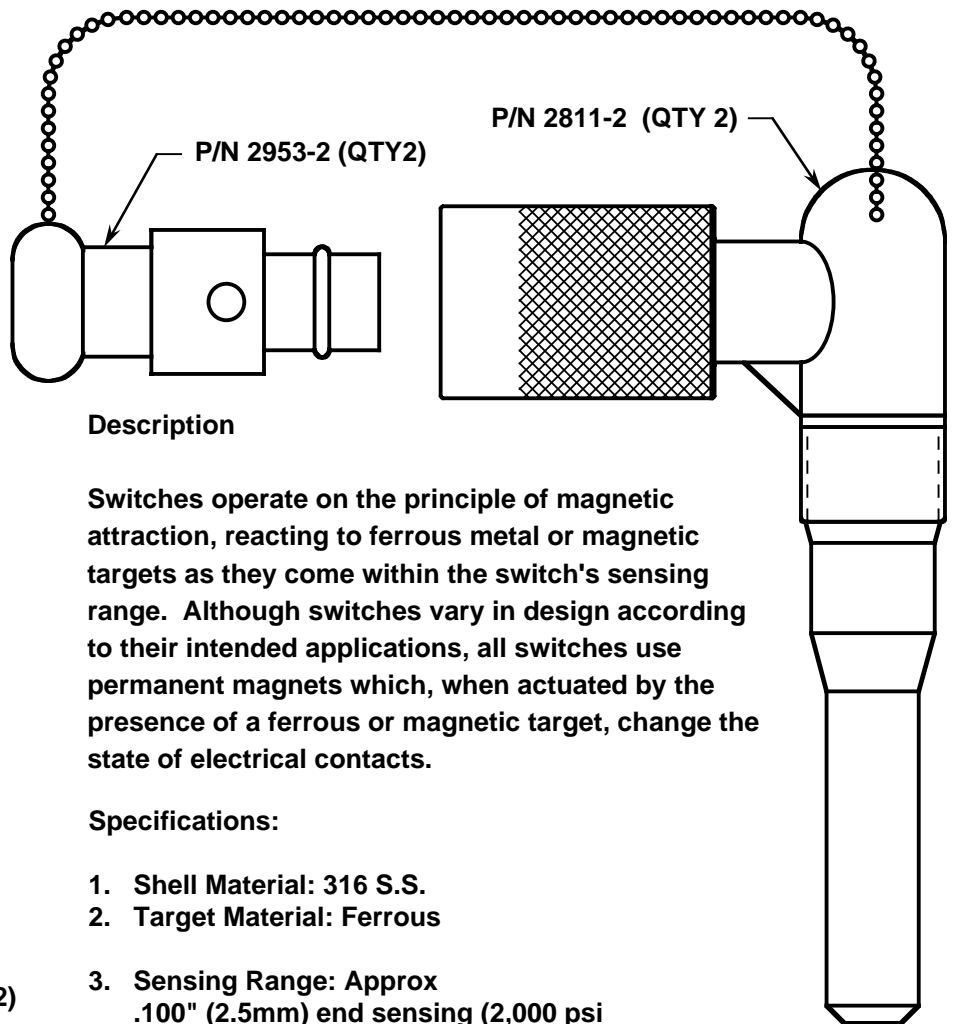
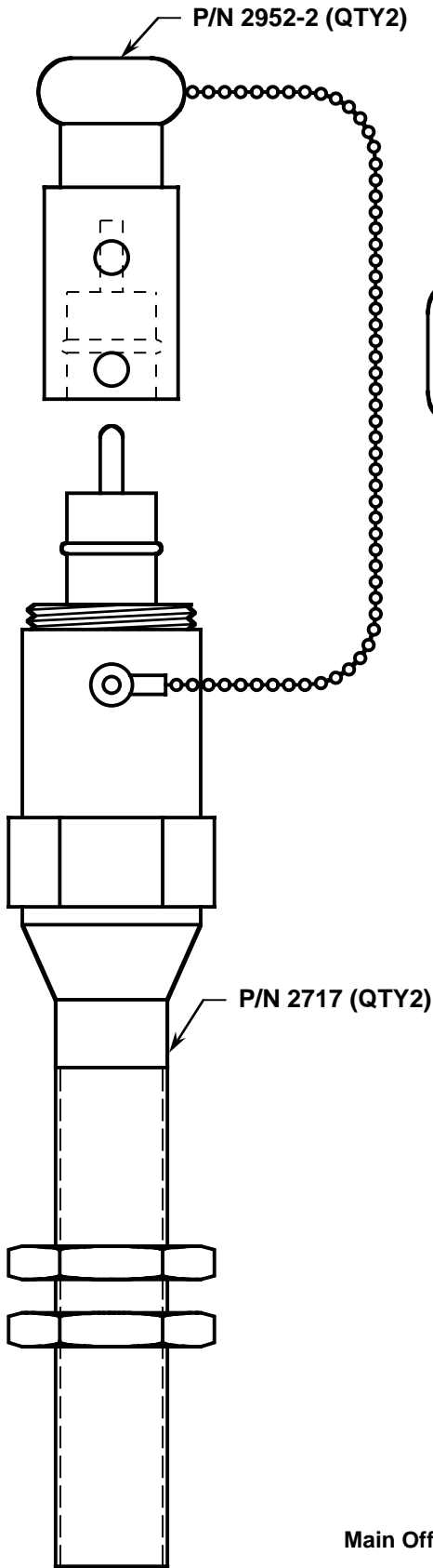


Proximity Switches

WETechnologies uses GO leverless limit switches which are modified to use our A-Series bulkhead connector as the pressure barrier providing a reliable disconnect for use in wet applications. These bulkheads have a removable contact insert which is o-ring sealed to the shell and retained with a snap ring allowing for field repair if the insert becomes damaged. The mating connector can be provided in either a straight or right angle configuration and either molded to your cable or in a field installable version. These connectors are coupled to the switch with either a S.S. or Delrin locking sleeve. As an option to the connector interface, we provide custom boot seals to match your cable for permanent cable termination to the switch. These boot seals are field installable and are manufactured in various elastomers to meet your fluid environment. Both termination methods are capable of 10,000psi service.

These switches are highly reliable as there are no external moving parts and no reed contacts to wear or fail. Electrically these switches can be wired for AC or DC and N/O or N/C. Contacts are rated at 4amp/120vac, 3amp/24vdc, and 0.5amp/125vdc. Switches are RFI immune, do not require power to operate and have no current leakage or voltage drop.



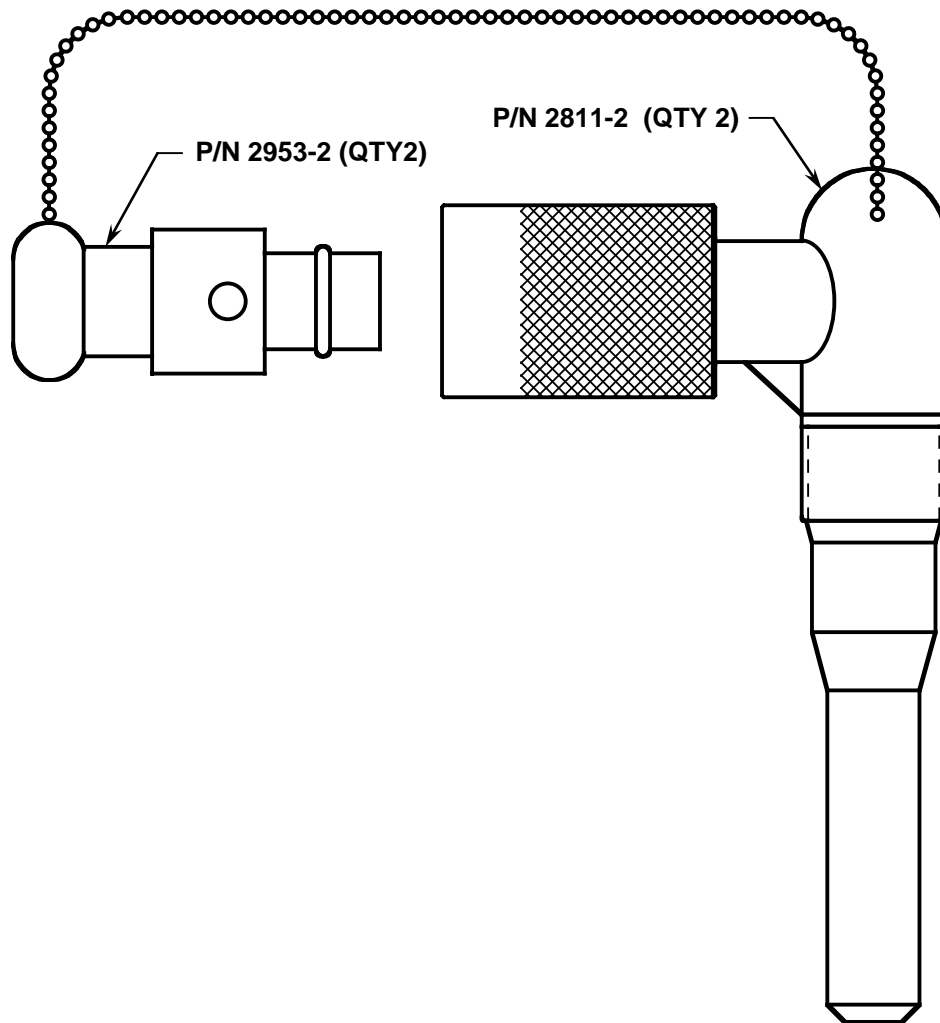


Description

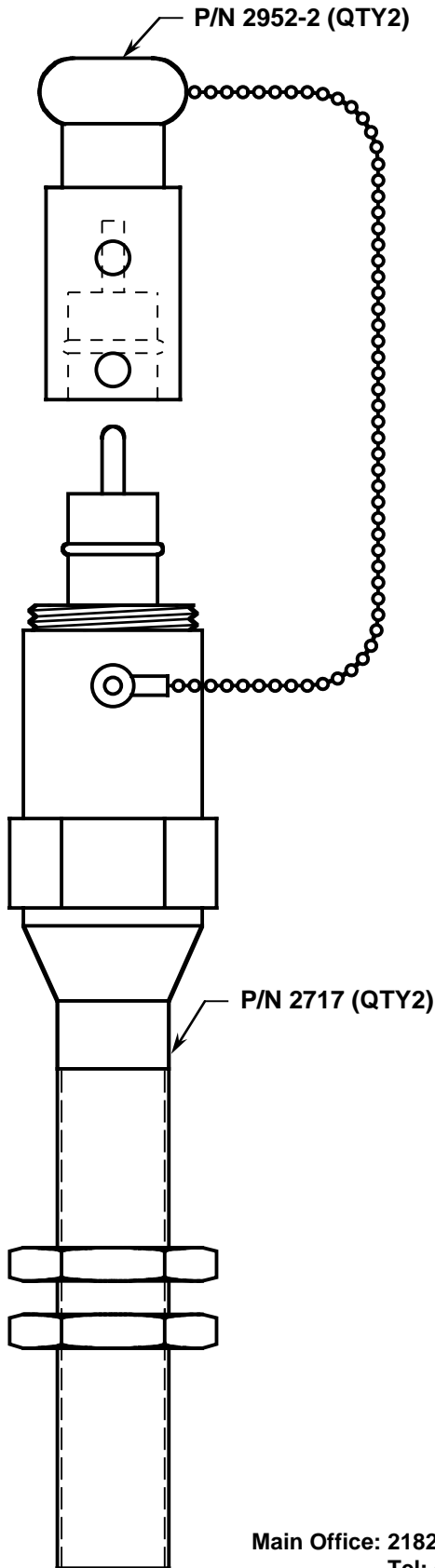
Switches operate on the principle of magnetic attraction, reacting to ferrous metal or magnetic targets as they come within the switch's sensing range. Although switches vary in design according to their intended applications, all switches use permanent magnets which, when actuated by the presence of a ferrous or magnetic target, change the state of electrical contacts.

Specifications:

1. Shell Material: 316 S.S.
2. Target Material: Ferrous
3. Sensing Range: Approx
 .100" (2.5mm) end sensing (2,000 psi)
 .072" (1.8mm) end sensing (5,000 psi)
 .060" (1.5mm) end sensing (10,000 psi)
 Range with Target Magnet: up to .35" (9mm)
4. Contact Material: Palladium Silver
5. Configuration: SPDT
6. Ratings: 120vac, 4amps
 24vdc, 3amps
7. Repeatability: .002" (.05mm) typical
8. Response Time: 8 milliseconds
9. Differential: Approximately .020" (.51mm)
10. Operating Temperature: -40°f to 221°f
11. Configuration: Normally Closed



Assembly No. 2717 Proximity Switch



Description

Switches operate on the principle of magnetic attraction, reacting to ferrous metal or magnetic targets as they come within the switch's sensing range. Although switches vary in design according to their intended applications, all switches use permanent magnets which, when actuated by the presence of a ferrous or magnetic target, change the state of electrical contacts.

Specifications:

1. Shell Material: 316 S.S.
2. Target Material: Ferrous
3. Sensing Range: Approx
.100" (2.5mm) end sensing (2,000 psi)
.072" (1.8mm) end sensing (5,000 psi)
.060" (1.5mm) end sensing (10,000 psi)
Range with Target Magnet: up to .35" (9mm)
4. Contact Material: Palladium Silver
5. Configuration: SPDT
6. Ratings: 120vac, 4amps
24vdc, 3amps
7. Repeatability: .002" (.05mm) typical
8. Response Time: 8 milliseconds
9. Differential: Approximately .020" (.51mm)
10. Operating Temperature: -40°f to 221°f
11. Configuration: Normally Closed

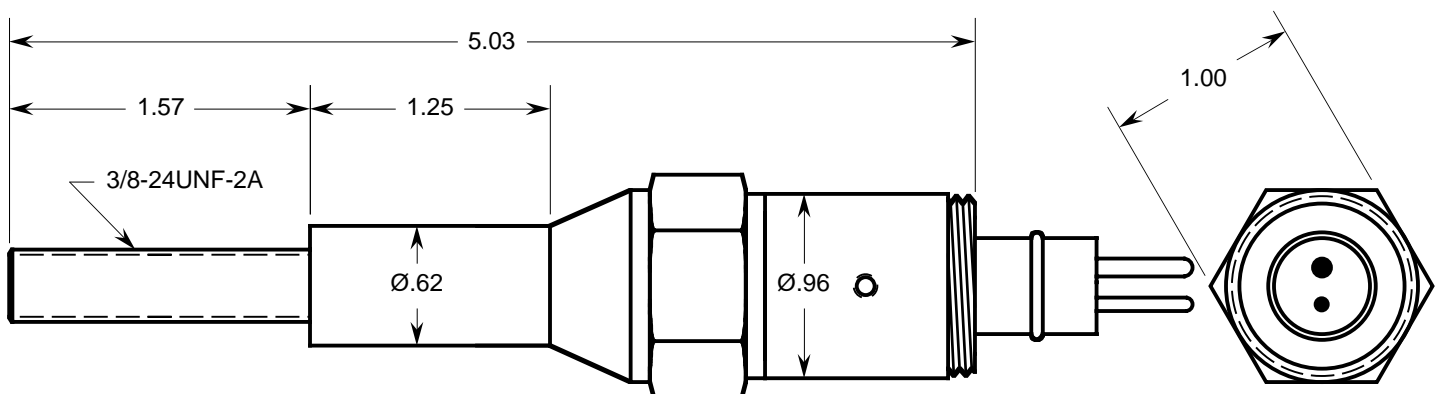
Description

Switches operate on the principle of magnetic attraction, reacting to ferrous metal or magnetic targets as they come within the switch's sensing range. Although switches vary in design according to their intended applications, all switches use permanent magnets which, when actuated by the presence of a ferrous or magnetic target, change the state of electrical contacts.

Specifications

Features

- SPDT contacts rated 4amp/120vac, 3amp/24vdc
- AC/DC, NO/NC flexibility
- Stainless Steel housings
- Inherently Intrinsically Safe
- -40° to 105°C (-40° to 221°F) operating temperature
- 204°C (400°F) optional operating temperature
- 2,000psi operating pressure
- Straight or Right Angle quick disconnect connector .
- M12 x 1 Metric Treads optional
- .040" (1.02mm) Sensing Distance 2,000 PSI
- Up to .15" Range with target magnet. 2,000 PSI
- Contact material: Palladium Silver
- Repeatability: .002" (0.05mm) Under identical operating conditions.
- Seal Cap with lanyard, optional



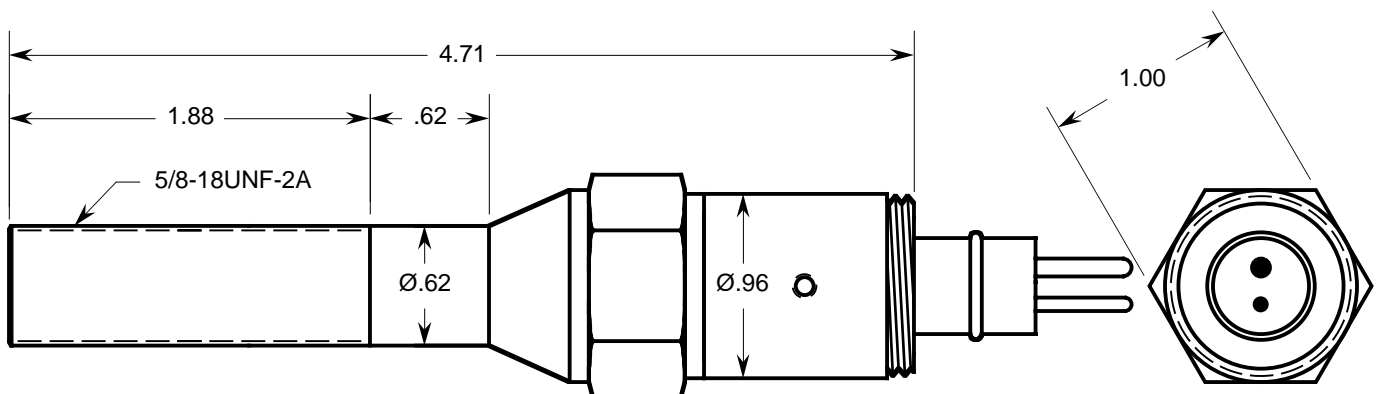
Description

Switches operate on the principle of magnetic attraction, reacting to ferrous metal or magnetic targets as they come within the switch's sensing range. Although switches vary in design according to their intended applications, all switches use permanent magnets which, when actuated by the presence of a ferrous or magnetic target, change the state of electrical contacts.

Specifications

Features

- SPDT contacts rated 4amp/120vac, 3amp/24vdc
- AC/DC, NO/NC flexibility
- Stainless Steel housings
- Inherently Intrinsically Safe
- -40° to 105°C (-40° to 221°F) operating temperature
- 204°C (400°F) optional operating temperature
- 2,000 PSI operating pressure (5,000 to 10,000 PSI Optional)
- Response Time: 8 milliseconds
- M18 x 1 Metric Treads optional
- Sensing Distance: .100" @ 2,000 PSI • .072" @ 5,000 PSI • .060" @ 10,000 PSI
- Up to .35" Range with target magnet. 2,000 PSI
- Contact material: Palladium Silver
- Repeatability: .002" (0.05mm) Under identical operating conditions.
- Straight or Right Angle quick disconnect connector .
- Seal Cap with lanyard, optional



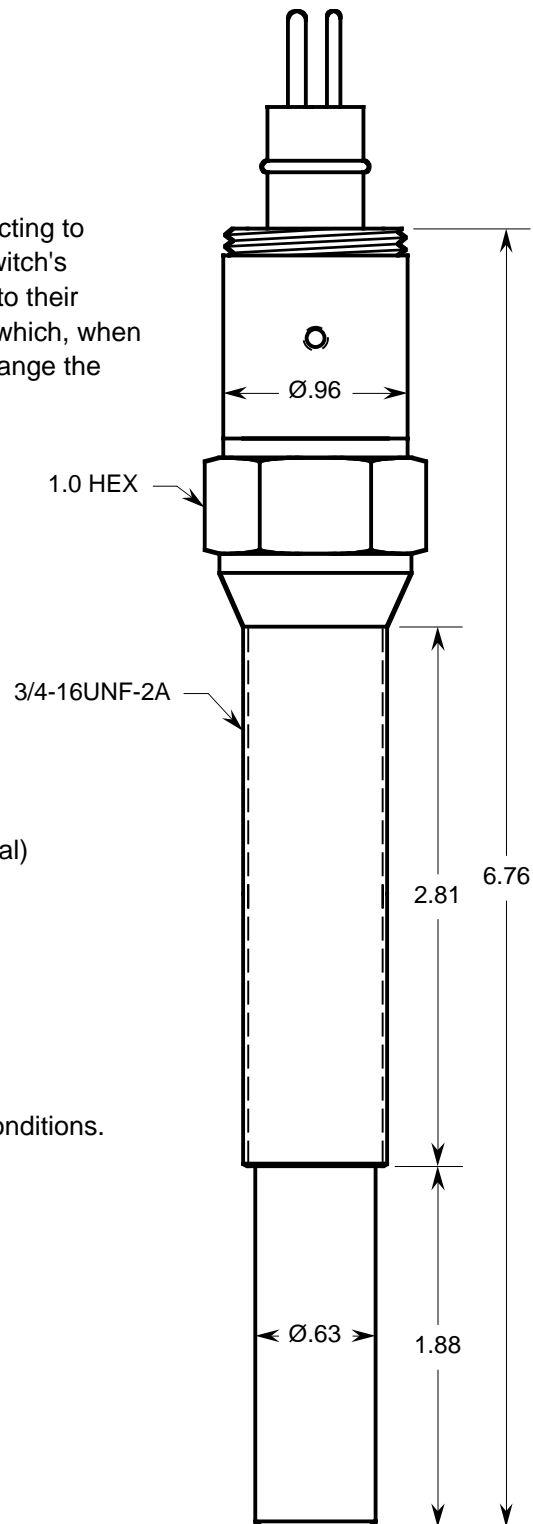
Description

Switches operate on the principle of magnetic attraction, reacting to ferrous metal or magnetic targets as they come within the switch's sensing range. Although switches vary in design according to their intended applications, all switches use permanent magnets which, when actuated by the presence of a ferrous or magnetic target, change the state of electrical contacts.

Specifications

Features

- SPDT contacts rated 4amp/120vac, 3amp/24vdc
- AC/DC, NO/NC flexibility
- Stainless Steel housings
- Inherently Intrinsically Safe
- -40° to 105°C (-40° to 221°F) operating temperature
- 204°C (400°F) optional operating temperature
- 2,000 PSI operating pressure (5,000 to 10,000 PSI Optional)
- Response Time: 8 milliseconds
- M18 x 1 Metric Treads optional
- Sensing Distance: .100" @ 2,000 PSI
.072" @ 5,000 PSI
.060" @ 10,000 PSI
- Up to .35" Range with target magnet. 2,000 PSI
- Contact material: Palladium Silver
- Repeatability: .002" (0.05mm) Under identical operating conditions.
- Straight or Right Angle quick disconnect connector .
- Seal Cap with lanyard, optional



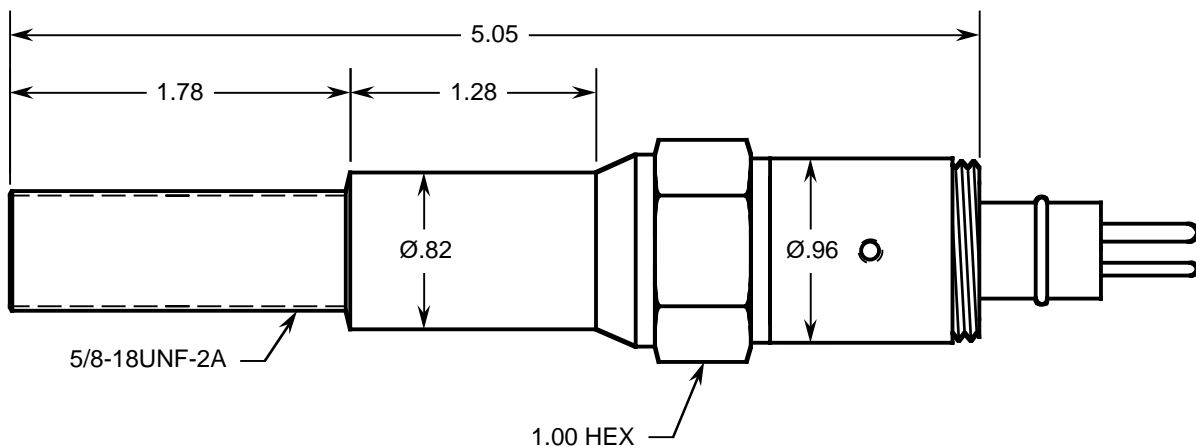
Description

Switches operate on the principle of magnetic attraction, reacting to ferrous metal or magnetic targets as they come within the switch's sensing range. Although switches vary in design according to their intended applications, all switches use permanent magnets which, when actuated by the presence of a ferrous or magnetic target, change the state of electrical contacts.

Specifications

Features

- SPDT or DPDT contacts rated 4amp/120vac, 3amp/24vdc
- AC/DC, NO/NC flexibility
- Stainless Steel housings
- Inherently Intrinsically Safe
- -40° to 105°C (-40° to 221°F) operating temperature
- 204°C (400°F) optional operating temperature
- 2,000 PSI operating pressure.
- Response Time: 8 milliseconds
- M18 x 1 Metric Treads optional
- Sensing Distance: .090" @ 2,000 PSI
- Up to .35" Range with target magnet. 2,000 PSI
- Contact material: Palladium Silver
- Repeatability: .002" (0.05mm) Under identical operating conditions.
- Straight or Right Angle quick disconnect connector .
- Seal Cap with lanyard, optional



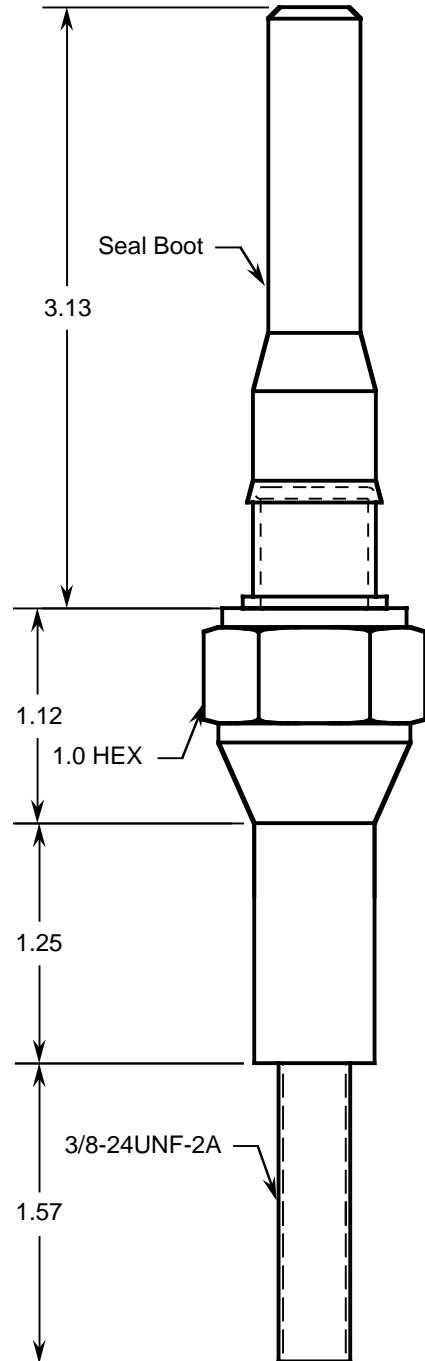
Description

Switches operate on the principle of magnetic attraction, reacting to ferrous metal or magnetic targets as they come within the switch's sensing range. Although switches vary in design according to their intended applications, all switches use permanent magnets which, when actuated by the presence of a ferrous or magnetic target, change the state of electrical contacts.

Specifications

Features

- SPDT contacts rated 4amp/120vac, 3amp/24vdc
- AC/DC, NO/NC flexibility
- Stainless Steel housings
- Inherently Intrinsically Safe
- -40° to 105°C (-40° to 221°F) operating temperature
- 204°C (400°F) optional operating temperature
- 2,000 PSI operating pressure.
- Response Time: 8 milliseconds
- Sensing Distance: .040" @ 2,000 PSI
- M12 x 1 Metric Threads optional.
- Up to .15" Range with target magnet. 2,000 PSI
- Contact material: Palladium Silver
- Repeatability: .002" (0.05mm) Under identical operating conditions.
- Boot Seal to cable. (Neoprene, Viton)



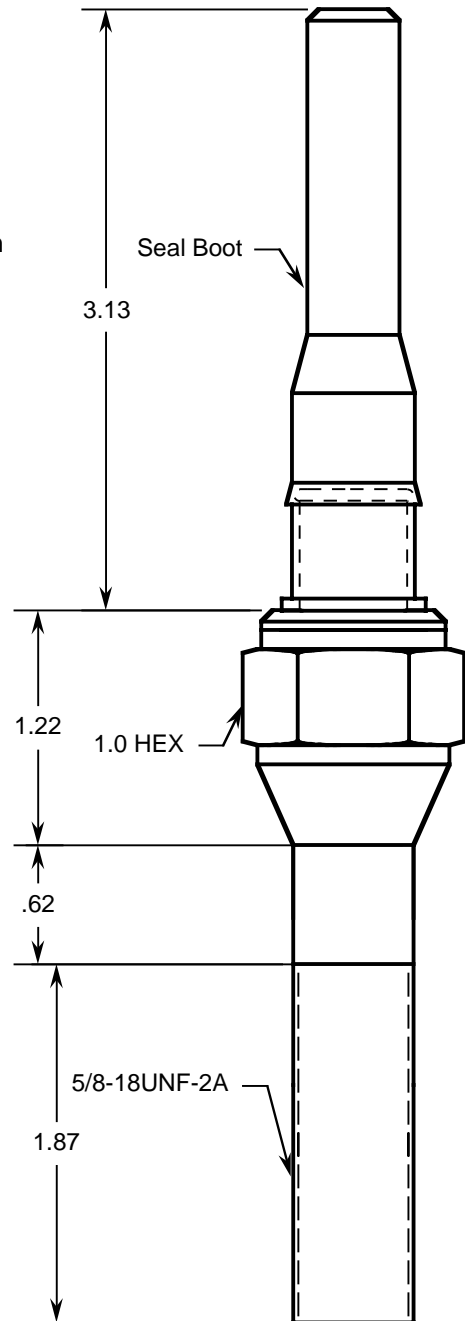
Description

Switches operate on the principle of magnetic attraction, reacting to ferrous metal or magnetic targets as they come within the switch's sensing range. Although switches vary in design according to their intended applications, all switches use permanent magnets which, when actuated by the presence of a ferrous or magnetic target, change the state of electrical contacts.

Specifications

Features

- SPDT contacts rated 4amp/120vac, 3amp/24vdc
- AC/DC, NO/NC flexibility
- Stainless Steel housings
- Inherently Intrinsically Safe
- -40° to 105°C (-40° to 221°F) operating temperature
- 204°C (400°F) optional operating temperature
- 2,000 PSI operating pressure. (5,000 to 10,000 PSI Optional)
- Response Time: 8 milliseconds
- Sensing Distance: .100" @ 2,000 PSI
.072" @ 5,000 PSI
.060" @ 10,000 PSI
- M18 x 1 Metric Threads optional.
- Up to .35" Range with target magnet. 2,000 PSI
- Contact material: Palladium Silver
- Repeatability: .002" (0.05mm) Under identical operating conditions.
- Boot Seal to cable. (Neoprene, Viton)



Model 1177 Proximity Switch

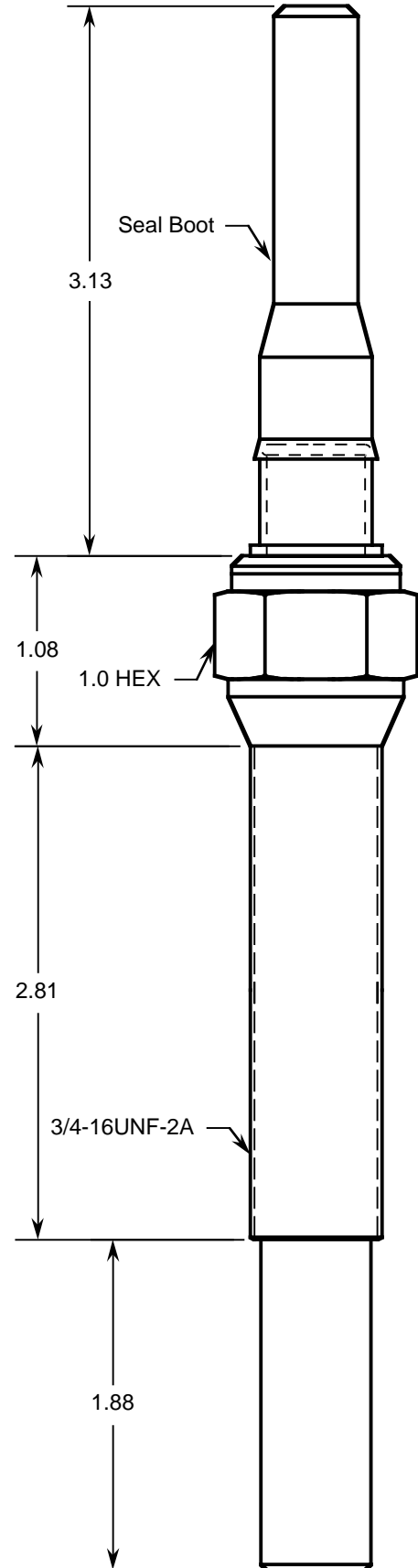
Description

Switches operate on the principle of magnetic attraction, reacting to ferrous metal or magnetic targets as they come within the switch's sensing range. Although switches vary in design according to their intended applications, all switches use permanent magnets which, when actuated by the presence of a ferrous or magnetic target, change the state of electrical contacts.

Specifications

Features

- SPDT contacts rated 4amp/120vac, 3amp/24vdc
- AC/DC, NO/NC flexibility
- Stainless Steel housings
- Inherently Intrinsically Safe
- -40° to 105°C (-40° to 221°F) operating temperature
- 204°C (400°F) optional operating temperature
- 2,000 PSI operating pressure. (5,000 to 10,000 PSI Optional)
- Response Time: 8 milliseconds
- Sensing Distance: .100" @ 2,000 PSI
.072" @ 5,000 PSI
.060" @ 10,000 PSI
- Up to .35" Range with target magnet. 2,000 PSI
- Contact material: Palladium Silver
- Repeatability: .002" (0.05mm) Under identical operating conditions.
- Boot Seal to cable. (Neoprene, Viton)



Description

Switches operate on the principle of magnetic attraction, reacting to ferrous metal or magnetic targets as they come within the switch's sensing range. Although switches vary in design according to their intended applications, all switches use permanent magnets which, when actuated by the presence of a ferrous or magnetic target, change the state of electrical contacts.

Specifications

Features

- SPDT or DPDT contacts rated 4amp/120vac, 3amp/24vdc
- AC/DC, NO/NC flexibility
- Stainless Steel housings
- Inherently Intrinsically Safe
- -40° to 105°C (-40° to 221°F) operating temperature
- 204°C (400°F) optional operating temperature
- 2,000 PSI operating pressure.
- Response Time: 8 milliseconds
- Sensing Distance: .090" @ 2,000 PSI
- M18 x 1 Metric Threads optional.
- Up to .35" Range with target magnet. 2,000 PSI
- Contact material: Palladium Silver
- Repeatability: .002" (0.05mm) Under identical operating conditions.
- Boot Seal to cable. (Neoprene, Viton)

